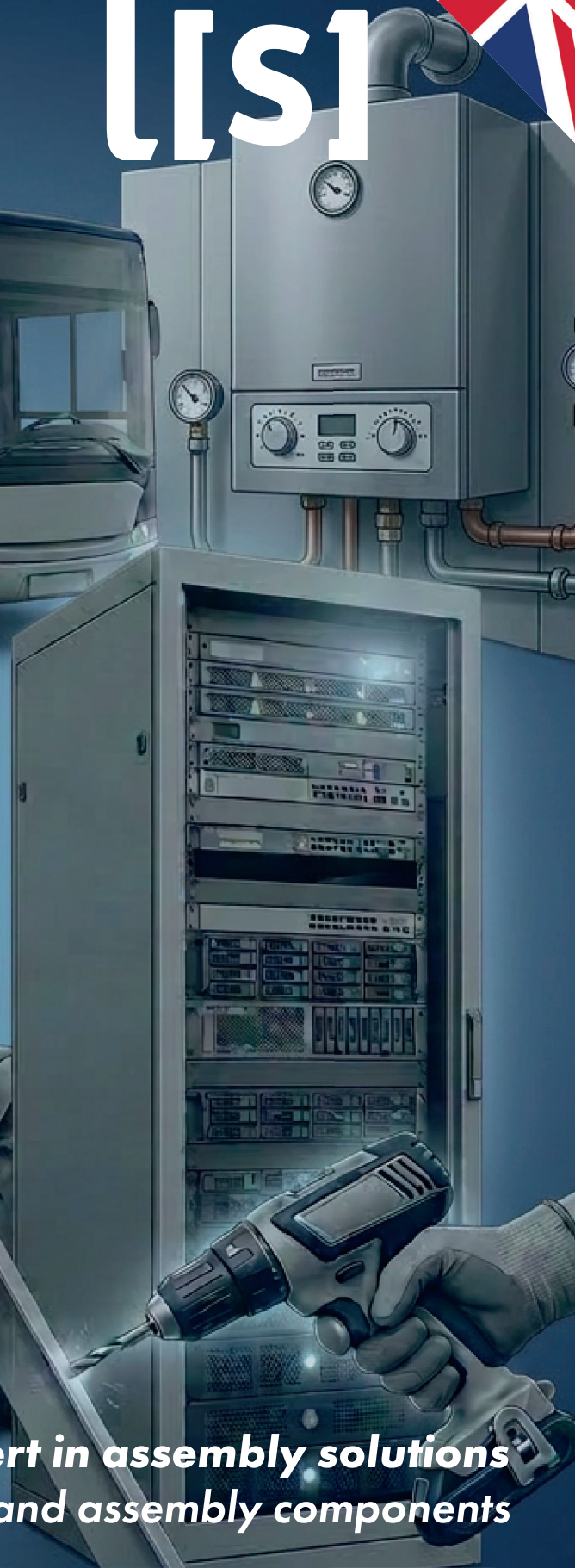
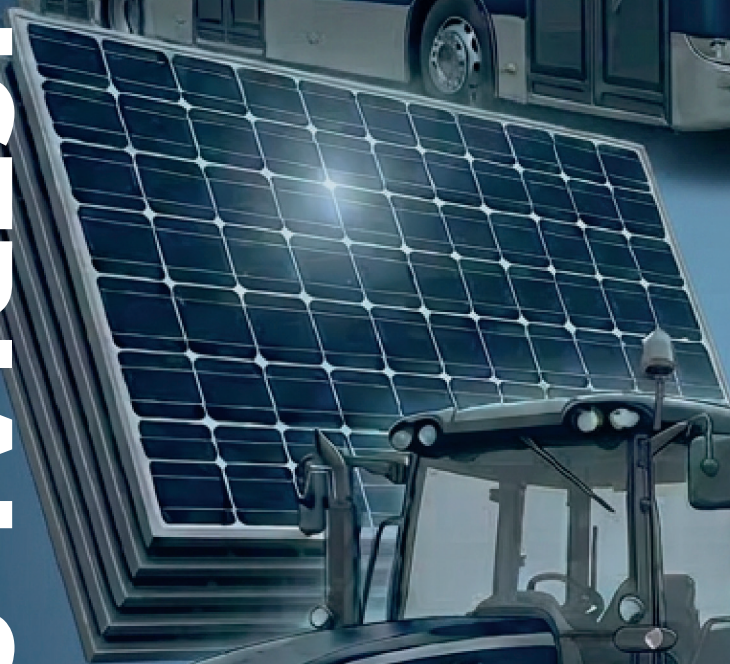
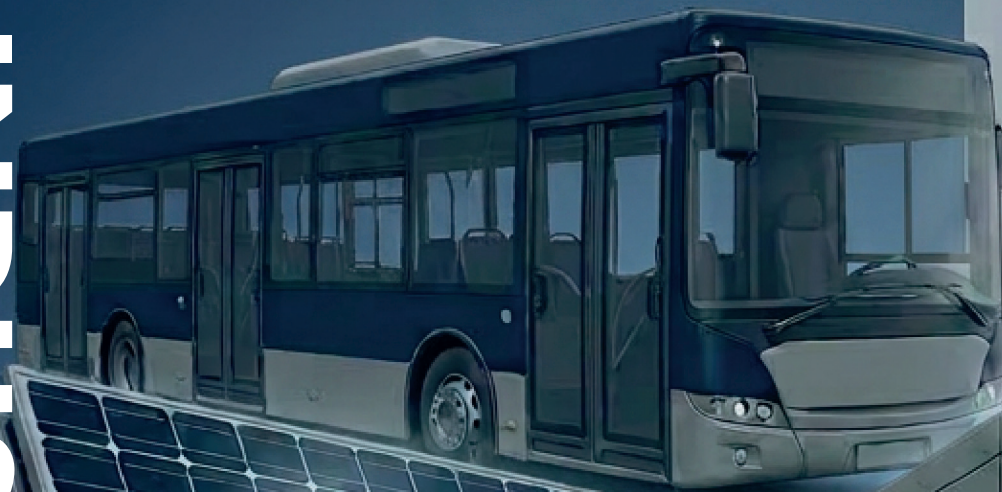
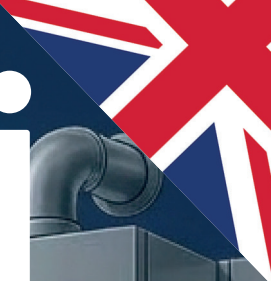
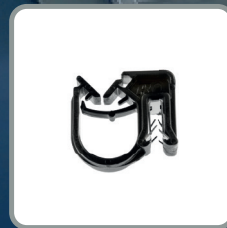
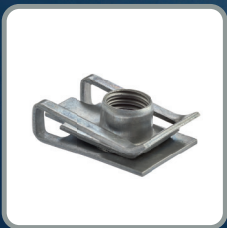


LISI INDUSTRIAL SOLUTIONS

lisi



*Your expert in assembly solutions
Screws, nuts, clips, fasteners and assembly components*



OUR KNOW-HOW

To guarantee quality, deadlines and performance, we have opted for vertical integration and mastery of a wide range of technologies: **plastic injection, thin sheet stamping, metal-plastic and cold heading.**



Cold forging

This process is based on the cold deformation of steel at room temperature in a few hundredths of a second. Starting with coils of wire, our transfer presses transform the raw material into complex mechanical parts following a precise process: shearing the slug, then stamping in several successive stages to obtain the desired final shape.



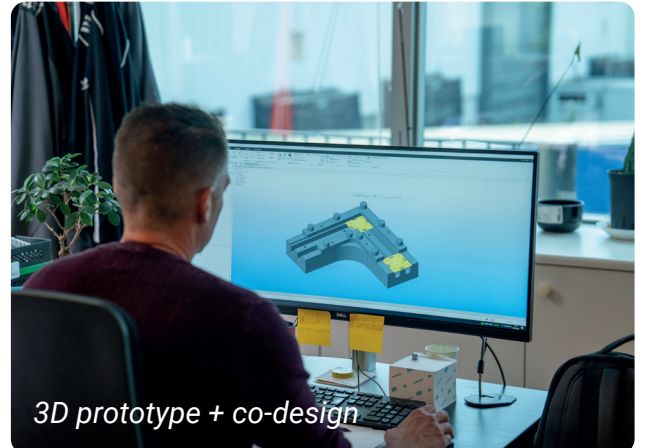
Plastic Injection

Plastic injection molding enables us to produce precise finished parts with complex shapes in a single operation, using injection molding machines. **LISI Industrial Solutions** produces fasteners in plastic, fiber-reinforced plastic, bi-material plastic and over-molding of metal parts, according to the needs of the application.



Metal stamping

Die-cutting and bending consists in producing parts, step by step, from a strip of sheet metal using progressive dies. This is the cheapest and fastest way of obtaining a given profile in a flat product. **LISI Industrial Solutions** uses it mainly to manufacture metal clips.



3D prototype + co-design

From design to series production: complete development with CAD design, simulation and prototyping, industrialization of your parts for rapid production, or according to your own build-to-print design. **LISI Industrial Solutions** mobilizes its technological expertise and industrial know-how to transform your projects into high-performance, reliable production solutions.

OUR PRODUCTION CAPABILITES

LISI Industrial Solutions' excellence is based on complete mastery of its businesses: from steel shaping and plastic injection to anti-corrosion coatings, each manufacturing process is controlled in-house to guarantee irreproachable parts right up to your delivery.

Cold Forging

Cold heading enables us to produce mechanical parts from coils of resized steel wire at our Grandvillars site (90, FR), on transfer presses specially adapted for medium and large production runs.

Materials used :
8.8 & 10.9 steel

Forming presses

M4 to M16 / L = 1200 mm

Machining & reworking

Plastic Injection

Plastic injection molding is the main process for processing thermoplastics, enabling us to produce precise finished parts with complex shapes.

Materials used :
Thermoplastics
PA, POM, PBT, ABS, ASA, PC, PE, PP

Thermoplastic elastomers
TPU, TPV, TPC, TPO, TPS, TPA

Injection presse

35T to 1500T

*Double injection machines
1K, 2K, overmolding
Vertical injection molding
Coldjet for mold cleaning, grinding,
turning, milling,
laser welding and mold polishing*

Metal Stamping

Cutting and bending is the process of producing parts, step by step, from a strip of sheet metal. This is the cheapest and quickest way of obtaining a given profile in a flat product, and is mainly used for metal clips.

Materials used :
Spring steel, stainless steel, aluminum, copper

Vertical presses

30T to 400T

Multi-slide & Bihler presses

Automatic or semi-automatic assembly

Automated or manual quality control

Worldwide footprint



Worldwide footprint



Worldwide footprint

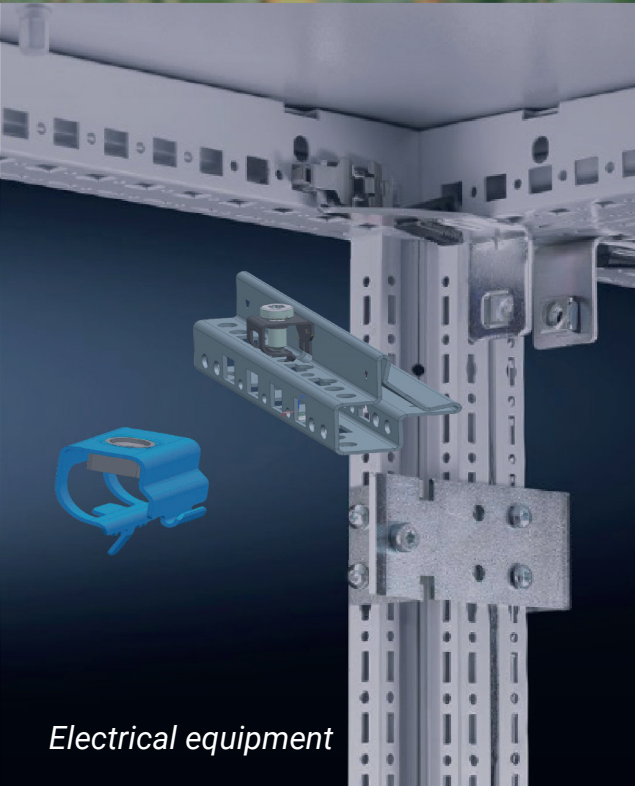


A unique technological synergy

The combination of these three areas of expertise enables LISI Industrial Solutions to offer integrated and innovative solutions, optimized for the requirements of the industrial sector and its activities: and unique for you!



Agricultural machinery



Electrical equipment

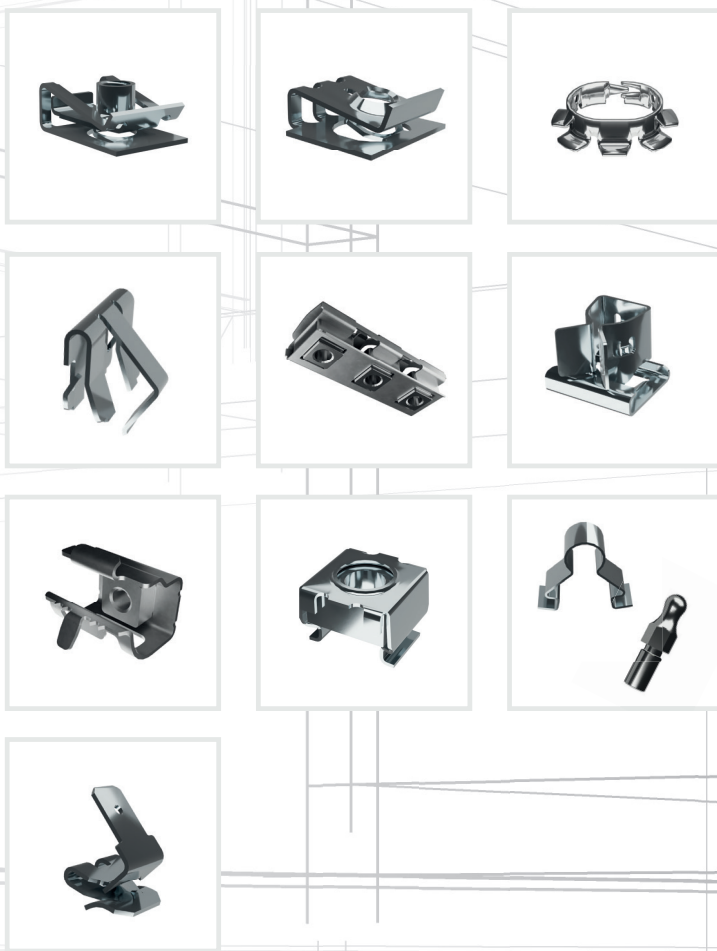


Heating, Ventilation, and Air Conditioning

OUR PRODUCT FAMILIES AND APPLICATIONS

From design to series production: **LISI Industrial Solutions** offers a modular, tailor-made approach that adapts perfectly to each customer's needs. Whether we take charge of complete development from CAD design to PPAP validation, industrialize parts already designed (build to print), or coordinate subcontract production with our qualified suppliers, our multidisciplinary expertise guarantees quality, responsiveness and performance at every stage of the process.

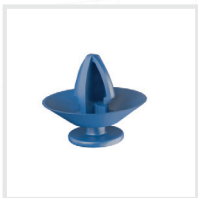
Metal solutions





Plastic components

Metalplastic fasteners



Miscellaneous tools



Time-saving assembly - Fast, intuitive fastening
Rationalization of part numbers - Lightweight solutions



A sustainable supplier and innovative global partner to industry, **LISI Industrial Solutions** designs and develops high value-added fastening solutions that combine technical performance, reliability and respect for the environment to meet the requirements of industrial equipment and systems.

NAFTA

EUROMED

CHINA



LISI INDUSTRIAL SOLUTIONS belongs to

lisi AUTOMOTIVE

www.catalog-lisi-automotive.com/industry/
fastenerlisi@lisi-group.com
+33 (0)1 34 46 60 27

 LISI AUTOMOTIVE

 @lisiautomotive

 LISI AUTOMOTIVE