

# 504828



---

Our « Metric special screws » family has been designed to ensure secure fastening over time for all automotive assembly challenges.

This family includes a complete range of products: in 10.9 and 8.8 steels, aluminum and EGH, etc.

Economical and reliable, alone or in combination with our other products, our metric special screws guarantee an optimal fastening system.

---

**Price:** 0.00€

For more information about this assembly solution,

please contact us at the e-mail address below:

[fastenerlisi@lisi-group.com](mailto:fastenerlisi@lisi-group.com)

---

# 504835

---

Our « Metric special screws » family has been designed to ensure secure fastening over

time for all automotive assembly challenges.

This family includes a complete range of products: in 10.9 and 8.8 steels, aluminum and EGH, etc.

Economical and reliable, alone or in combination with our other products, our metric special screws guarantee an optimal fastening system.

---

**Price:** 0.00€

For more information about this assembly solution,

please contact us at the e-mail address below:

[fastenerlisi@lisi-group.com](mailto:fastenerlisi@lisi-group.com)



---

# 504865



---

Our « Metric special screws » family has been designed to ensure secure fastening over time for all automotive assembly challenges.

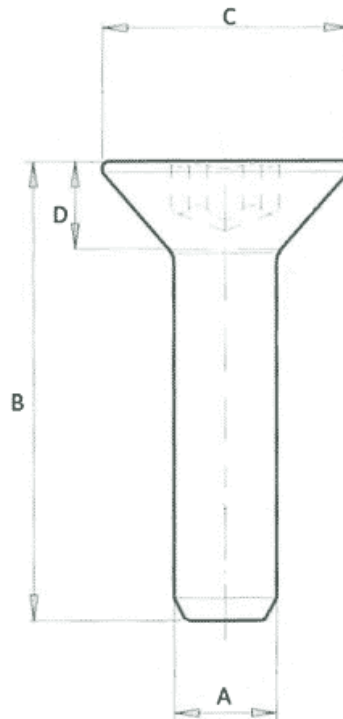
This family includes a complete range of products: in 10.9 and 8.8 steels, aluminum and EGH, etc.

Economical and reliable, alone or in combination with our other products, our metric

special screws guarantee an optimal fastening system.

---

Part print



**Price:** 0.00€

For more information about this assembly solution,

please contact us at the e-mail address below:

[fastenerlisi@lisi-group.com](mailto:fastenerlisi@lisi-group.com)



---

504896



---

Our « thread forming screws » family has been designed to ensure secure fastening over time for all automotive assembly challenges.

This family includes a complete range of products: in 10.9 and 8.8 steels, aluminum and EGH, etc.

Economical and reliable, alone or in combination with our other products, our metric special screws guarantee an optimal fastening system.

---

**Price:** 0.00€

For more information about this assembly solution,

please contact us at the e-mail address below:

[fastenerlisi@lisi-group.com](mailto:fastenerlisi@lisi-group.com)



---

# 504913



---

Our « thread forming screws » family has been designed to ensure secure fastening over time for all automotive assembly challenges.

This family includes a complete range of products: in 10.9 and 8.8 steels, aluminum and EGH, etc.

Economical and reliable, alone or in combination with our other products, our metric special screws guarantee an optimal fastening system.

---

**Price:** 0.00€

For more information about this assembly solution,

please contact us at the e-mail address below:

[fastenerlisi@lisi-group.com](mailto:fastenerlisi@lisi-group.com)



---

# 504920



---

Our « thread forming screws » family has been designed to ensure secure fastening over time for all automotive assembly challenges.

This family includes a complete range of products: in 10.9 and 8.8 steels, aluminum and EGH, etc.

Economical and reliable, alone or in combination with our other products, our metric special screws guarantee an optimal fastening system.

---

**Price:** 0.00€

For more information about this assembly solution,

please contact us at the e-mail address below:

[fastenerlisi@lisi-group.com](mailto:fastenerlisi@lisi-group.com)



---

# 504958

---

Our « Metric special screws » family has been designed to ensure secure fastening over time for all automotive assembly challenges.

This family includes a complete range of products: in 10.9 and 8.8 steels, aluminum and EGH, etc.

Economical and reliable, alone or in combination with our other products, our metric special screws guarantee an optimal fastening system.

---

**Price:** 0.00€

For more information about this assembly solution,

please contact us at the e-mail address below:

[fastenerlisi@lisi-group.com](mailto:fastenerlisi@lisi-group.com)



---

# 504986



---

Our « thread forming screws » family has been designed to ensure secure fastening over time for all automotive assembly challenges.

This family includes a complete range of products: in 10.9 and 8.8 steels, aluminum and EGH, etc.

Economical and reliable, alone or in combination with our other products, our metric special screws guarantee an optimal fastening system.

---

**Price:** 0.00€

For more information about this assembly solution,

please contact us at the e-mail address below:

[fastenerlisi@lisi-group.com](mailto:fastenerlisi@lisi-group.com)

---

# 504990



---

Our « thread forming screws » family has been designed to ensure secure fastening over time for all automotive assembly challenges.

This family includes a complete range of products: in 10.9 and 8.8 steels, aluminum and EGH, etc.

Economical and reliable, alone or in combination with our other products, our metric special screws guarantee an optimal fastening system.

---

**Price:** 0.00€

For more information about this assembly solution,

please contact us at the e-mail address below:

[fastenerlisi@lisi-group.com](mailto:fastenerlisi@lisi-group.com)

---



---

# 505004



---

Our « Metric special screws » family has been designed to ensure secure fastening over time for all automotive assembly challenges.

This family includes a complete range of products: in 10.9 and 8.8 steels, aluminum and EGH, etc.

Economical and reliable, alone or in combination with our other products, our metric special screws guarantee an optimal fastening system.

---

**Price:** 0.00€

For more information about this assembly solution,

please contact us at the e-mail address below:

[fastenerlisi@lisi-group.com](mailto:fastenerlisi@lisi-group.com)



# 505042

---

Our « Metric special screws » family has been designed to ensure secure fastening over time for all automotive assembly challenges.

This family includes a complete range of products: in 10.9 and 8.8 steels, aluminum and EGH, etc.

Economical and reliable, alone or in combination with our other products, our metric special screws guarantee an optimal fastening system.

---

**Price:** 0.00€

For more information about this assembly solution,

please contact us at the e-mail address below:

[fastenerlisi@lisi-group.com](mailto:fastenerlisi@lisi-group.com)



---

# 505048



---

Our « Metric special screws » family has been designed to ensure secure fastening over

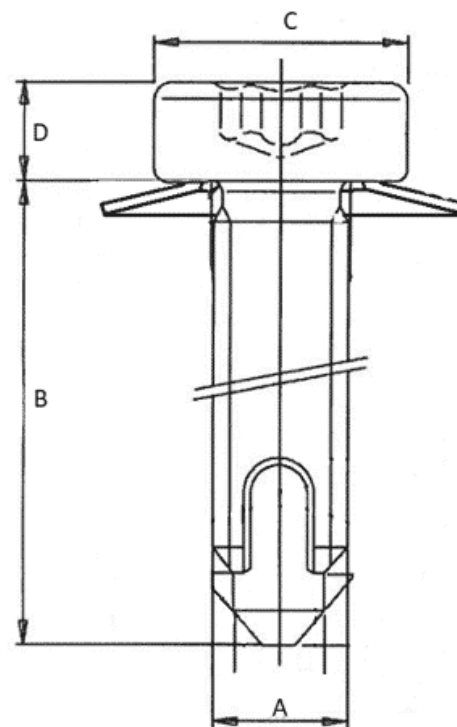
time for all automotive assembly challenges.

This family includes a complete range of products: in 10.9 and 8.8 steels, aluminum and EGH, etc.

Economical and reliable, alone or in combination with our other products, our metric special screws guarantee an optimal fastening system.

---

Part print

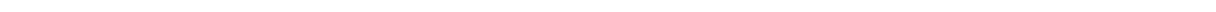


**Price:** 0.00€

For more information about this assembly solution,

please contact us at the e-mail address below:

[fastenerlisi@lisi-group.com](mailto:fastenerlisi@lisi-group.com)



# 505089



---

Our « Metric special screws » family has been designed to ensure secure fastening over time for all automotive assembly challenges.

This family includes a complete range of products: in 10.9 and 8.8 steels, aluminum and EGH, etc.

Economical and reliable, alone or in combination with our other products, our metric special screws guarantee an optimal fastening system.

---

**Price:** 0.00€

For more information about this assembly solution,

please contact us at the e-mail address below:

[fastenerlisi@lisi-group.com](mailto:fastenerlisi@lisi-group.com)



---

# 505163



---

Our « thread forming screws » family has been designed to ensure secure fastening over time for all automotive assembly challenges.

This family includes a complete range of products: in 10.9 and 8.8 steels, aluminum and EGH, etc.

Economical and reliable, alone or in combination with our other products, our metric special screws guarantee an optimal fastening system.

---

**Price:** 0.00€

For more information about this assembly solution,

please contact us at the e-mail address below:

[fastenerlisi@lisi-group.com](mailto:fastenerlisi@lisi-group.com)



---

# 505172



---

Our « thread forming screws » family has been designed to ensure secure fastening over time for all automotive assembly challenges.

This family includes a complete range of products: in 10.9 and 8.8 steels, aluminum and EGH, etc.

Economical and reliable, alone or in combination with our other products, our metric special screws guarantee an optimal fastening system.

---

**Price:** 0.00€

For more information about this assembly solution,

please contact us at the e-mail address below:

[fastenerlisi@lisi-group.com](mailto:fastenerlisi@lisi-group.com)

