

# 504687



---

Our « Metric special screws » family has been designed to ensure secure fastening over time for all automotive assembly challenges.

This family includes a complete range of products: in 10.9 and 8.8 steels, aluminum and EGH, etc.

Economical and reliable, alone or in combination with our other products, our metric special screws guarantee an optimal fastening system.

---

**Price:** 0.00€

For more information about this assembly solution,

please contact us at the e-mail address below:

[fastenerlisi@lisi-group.com](mailto:fastenerlisi@lisi-group.com)



---

# 504696



---

Our « Metric special screws » family has been designed to ensure secure fastening over time for all automotive assembly challenges.

This family includes a complete range of products: in 10.9 and 8.8 steels, aluminum and EGH, etc.

Economical and reliable, alone or in combination with our other products, our metric special screws guarantee an optimal fastening system.

---

**Price:** 0.00€

For more information about this assembly solution,  
please contact us at the e-mail address below:

[fastenerlisi@lisi-group.com](mailto:fastenerlisi@lisi-group.com)



---

# 504699



---

Our « Metric special screws » family has been designed to ensure secure fastening over time for all automotive assembly challenges.

This family includes a complete range of products: in 10.9 and 8.8 steels, aluminum and EGH, etc.

Economical and reliable, alone or in combination with our other products, our metric special screws guarantee an optimal fastening system.

---

**Price:** 0.00€

For more information about this assembly solution,

please contact us at the e-mail address below:

[fastenerlisi@lisi-group.com](mailto:fastenerlisi@lisi-group.com)



---

# 504709



---

Our « Metric special screws » family has been designed to ensure secure fastening over time for all automotive assembly challenges.

This family includes a complete range of products: in 10.9 and 8.8 steels, aluminum and EGH, etc.

Economical and reliable, alone or in combination with our other products, our metric special screws guarantee an optimal fastening system.

---

**Price:** 0.00€

For more information about this assembly solution,

please contact us at the e-mail address below:

[fastenerlisi@lisi-group.com](mailto:fastenerlisi@lisi-group.com)



---

# 504716



---

Our « Metric special screws » family has been designed to ensure secure fastening over time for all automotive assembly challenges.

This family includes a complete range of products: in 10.9 and 8.8 steels, aluminum and EGH, etc.

Economical and reliable, alone or in combination with our other products, our metric special screws guarantee an optimal fastening system.

---

**Price:** 0.00€

For more information about this assembly solution,

please contact us at the e-mail address below:

[fastenerlisi@lisi-group.com](mailto:fastenerlisi@lisi-group.com)



---

# 504724



---

Our « Metric special screws » family has been designed to ensure secure fastening over time for all automotive assembly challenges.

This family includes a complete range of products: in 10.9 and 8.8 steels, aluminum and EGH, etc.

Economical and reliable, alone or in combination with our other products, our metric special screws guarantee an optimal fastening system.

---

**Price:** 0.00€

For more information about this assembly solution,

please contact us at the e-mail address below:

[fastenerlisi@lisi-group.com](mailto:fastenerlisi@lisi-group.com)



---

# 504725



---

Our « Sheet metal screws with pre hole » family has been designed to ensure secure fastening over time for all automotive assembly challenges.

This family includes a complete range of products: in 10.9 and 8.8 steels, aluminum and EGH, etc.

Economical and reliable, alone or in combination with our other products, our sheet metal screws with pre hole guarantee an optimal fastening system.

---

**Price:** 0.00€

For more information about this assembly solution,

please contact us at the e-mail address below:

[fastenerlisi@lisi-group.com](mailto:fastenerlisi@lisi-group.com)



---

# 504730



---

Our « thread forming screws » family has been designed to ensure secure fastening over time for all automotive assembly challenges.

This family includes a complete range of products: in 10.9 and 8.8 steels, aluminum and EGH, etc.

Economical and reliable, alone or in combination with our other products, our metric special screws guarantee an optimal fastening system.

---

**Price:** 0.00€

For more information about this assembly solution,

please contact us at the e-mail address below:

[fastenerlisi@lisi-group.com](mailto:fastenerlisi@lisi-group.com)

---



# 504740



---

Our « thread forming screws » family has been designed to ensure secure fastening over time for all automotive assembly challenges.

This family includes a complete range of products: in 10.9 and 8.8 steels, aluminum and EGH, etc.

Economical and reliable, alone or in combination with our other products, our metric special screws guarantee an optimal fastening system.

---

**Price:** 0.00€

For more information about this assembly solution,

please contact us at the e-mail address below:

[fastenerlisi@lisi-group.com](mailto:fastenerlisi@lisi-group.com)





# 504758

---

Our « Metric special screws » family has been designed to ensure secure fastening over time for all automotive assembly challenges.

This family includes a complete range of products: in 10.9 and 8.8 steels, aluminum and EGH, etc.

Economical and reliable, alone or in combination with our other products, our metric special screws guarantee an optimal fastening system.

---

**Price:** 0.00€

For more information about this assembly solution,

please contact us at the e-mail address below:

[fastenerlisi@lisi-group.com](mailto:fastenerlisi@lisi-group.com)



---

# 504762



---

Our « Metric special screws » family has been designed to ensure secure fastening over

time for all automotive assembly challenges.

This family includes a complete range of products: in 10.9 and 8.8 steels, aluminum and EGH, etc.

Economical and reliable, alone or in combination with our other products, our metric special screws guarantee an optimal fastening system.

---

**Price:** 0.00€

For more information about this assembly solution,

please contact us at the e-mail address below:

[fastenerlisi@lisi-group.com](mailto:fastenerlisi@lisi-group.com)



---

# 504774

---

Our « Metric special screws » family has been designed to ensure secure fastening over time for all automotive assembly challenges.

This family includes a complete range of products: in 10.9 and 8.8 steels, aluminum and EGH, etc.

Economical and reliable, alone or in combination with our other products, our metric special screws guarantee an optimal fastening system.

---

**Price:** 0.00€

For more information about this assembly solution,

please contact us at the e-mail address below:

[fastenerlisi@lisi-group.com](mailto:fastenerlisi@lisi-group.com)

---

# 504786



---

Our « Metric special screws » family has been designed to ensure secure fastening over time for all automotive assembly challenges.

This family includes a complete range of products: in 10.9 and 8.8 steels, aluminum and EGH, etc.

Economical and reliable, alone or in combination with our other products, our metric special screws guarantee an optimal fastening system.

---

**Price:** 0.00€

For more information about this assembly solution,

please contact us at the e-mail address below:

[fastenerlisi@lisi-group.com](mailto:fastenerlisi@lisi-group.com)

---

---

# 504799



---

Our « Metric special screws » family has been designed to ensure secure fastening over time for all automotive assembly challenges.

This family includes a complete range of products: in 10.9 and 8.8 steels, aluminum and EGH, etc.

Economical and reliable, alone or in combination with our other products, our metric special screws guarantee an optimal fastening system.

---

**Price:** 0.00€

For more information about this assembly solution,

please contact us at the e-mail address below:

[fastenerlisi@lisi-group.com](mailto:fastenerlisi@lisi-group.com)



# 504803



---

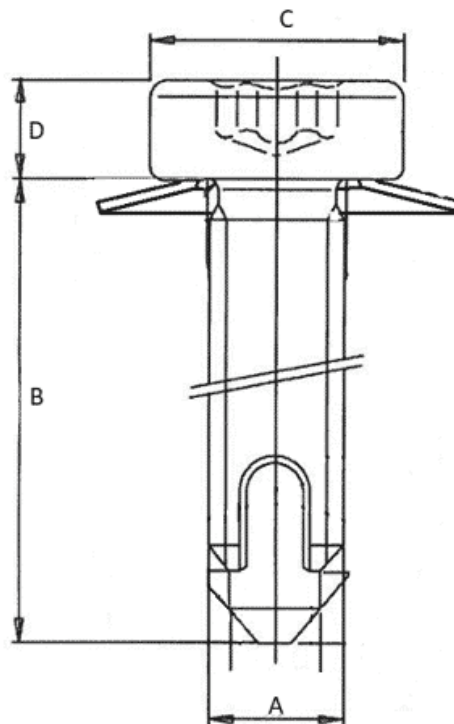
Our « Metric special screws » family has been designed to ensure secure fastening over time for all automotive assembly challenges.

This family includes a complete range of products: in 10.9 and 8.8 steels, aluminum and EGH, etc.

Economical and reliable, alone or in combination with our other products, our metric special screws guarantee an optimal fastening system.

---

Part print



**Price:** 0.00€

For more information about this assembly solution,

please contact us at the e-mail address below:

[fastenerlisi@lisi-group.com](mailto:fastenerlisi@lisi-group.com)

