

937891



Our « thread forming screws » family has been designed to ensure secure fastening over time for all automotive assembly challenges.

This family includes a complete range of products: in 10.9 and 8.8 steels, aluminum and EGH, etc.

Economical and reliable, alone or in combination with our other products, our metric special screws guarantee an optimal fastening system.

Price: 0.00€

For more information about this assembly solution,

please contact us at the e-mail address below:

fastenerlisi@lisi-group.com



937902



Our « thread forming screws » family has been designed to ensure secure fastening over time for all automotive assembly challenges.

This family includes a complete range of products: in 10.9 and 8.8 steels, aluminum and EGH, etc.

Economical and reliable, alone or in combination with our other products, our metric special screws guarantee an optimal fastening system.

Price: 0.00€

For more information about this assembly solution,
please contact us at the e-mail address below:

fastenerlisi@lisi-group.com



937910

Our « thread forming screws » family has been designed to ensure secure fastening over time for all automotive assembly challenges.

This family includes a complete range of products: in 10.9 and 8.8 steels, aluminum and EGH, etc.

Economical and reliable, alone or in combination with our other products, our metric special screws guarantee an optimal fastening system.

Price: 0.00€

For more information about this assembly solution,

please contact us at the e-mail address below:

fastenerlisi@lisi-group.com



937913



Our « thread forming screws » family has been designed to ensure secure fastening over time for all automotive assembly challenges.

This family includes a complete range of products: in 10.9 and 8.8 steels, aluminum and EGH, etc.

Economical and reliable, alone or in combination with our other products, our metric special screws guarantee an optimal fastening system.

Price: 0.00€

For more information about this assembly solution,

please contact us at the e-mail address below:

fastenerlisi@lisi-group.com



937918



Our « thread forming screws » family has been designed to ensure secure fastening over time for all automotive assembly challenges.

This family includes a complete range of products: in 10.9 and 8.8 steels, aluminum and EGH, etc.

Economical and reliable, alone or in combination with our other products, our metric special screws guarantee an optimal fastening system.

Price: 0.00€

For more information about this assembly solution,

please contact us at the e-mail address below:

fastenerlisi@lisi-group.com

937942



Our « thread forming screws » family has been designed to ensure secure fastening over time for all automotive assembly challenges.

This family includes a complete range of products: in 10.9 and 8.8 steels, aluminum and EGH, etc.

Economical and reliable, alone or in combination with our other products, our metric special screws guarantee an optimal fastening system.

Price: 0.00€

For more information about this assembly solution,

please contact us at the e-mail address below:

fastenerlisi@lisi-group.com



937957



Our « thread forming screws » family has been designed to ensure secure fastening over time for all automotive assembly challenges.

This family includes a complete range of products: in 10.9 and 8.8 steels, aluminum and EGH, etc.

Economical and reliable, alone or in combination with our other products, our metric special screws guarantee an optimal fastening system.

Price: 0.00€

For more information about this assembly solution,

please contact us at the e-mail address below:

fastenerlisi@lisi-group.com



937963



Our « thread forming screws » family has been designed to ensure secure fastening over time for all automotive assembly challenges.

This family includes a complete range of products: in 10.9 and 8.8 steels, aluminum and EGH, etc.

Economical and reliable, alone or in combination with our other products, our metric special screws guarantee an optimal fastening system.

Price: 0.00€

For more information about this assembly solution,
please contact us at the e-mail address below:

fastenerlisi@lisi-group.com



937964



Our « thread forming screws » family has been designed to ensure secure fastening over time for all automotive assembly challenges.

This family includes a complete range of products: in 10.9 and 8.8 steels, aluminum and EGH, etc.

Economical and reliable, alone or in combination with our other products, our metric special screws guarantee an optimal fastening system.

Price: 0.00€

For more information about this assembly solution,

please contact us at the e-mail address below:

fastenerlisi@lisi-group.com



937969



Our « thread forming screws » family has been designed to ensure secure fastening over time for all automotive assembly challenges.

This family includes a complete range of products: in 10.9 and 8.8 steels, aluminum and EGH, etc.

Economical and reliable, alone or in combination with our other products, our metric special screws guarantee an optimal fastening system.

Price: 0.00€

For more information about this assembly solution,

please contact us at the e-mail address below:

fastenerlisi@lisi-group.com



938017



Our « thread forming screws » family has been designed to ensure secure fastening over time for all automotive assembly challenges.

This family includes a complete range of products: in 10.9 and 8.8 steels, aluminum and EGH, etc.

Economical and reliable, alone or in combination with our other products, our metric special screws guarantee an optimal fastening system.

Price: 0.00€

For more information about this assembly solution,

please contact us at the e-mail address below:

fastenerlisi@lisi-group.com

938038



Our « thread forming screws » family has been designed to ensure secure fastening over time for all automotive assembly challenges.

This family includes a complete range of products: in 10.9 and 8.8 steels, aluminum and EGH, etc.

Economical and reliable, alone or in combination with our other products, our metric special screws guarantee an optimal fastening system.

Price: 0.00€

For more information about this assembly solution,

please contact us at the e-mail address below:

fastenerlisi@lisi-group.com

938071

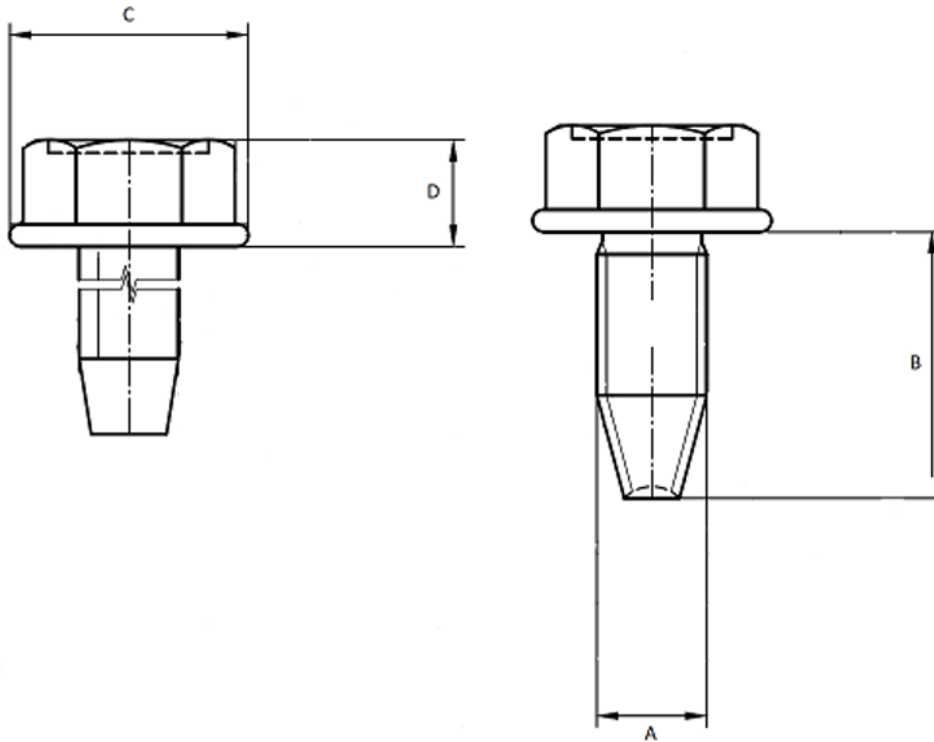


Our « thread forming screws » family has been designed to ensure secure fastening over time for all automotive assembly challenges.

This family includes a complete range of products: in 10.9 and 8.8 steels, aluminum and EGH, etc.

Economical and reliable, alone or in combination with our other products, our metric special screws guarantee an optimal fastening system.

Part print



Price: 0.00€

For more information about this assembly solution,

please contact us at the e-mail address below:

fastenerlisi@lisi-group.com



938073



Our « thread forming screws » family has been designed to ensure secure fastening over time for all automotive assembly challenges.

This family includes a complete range of products: in 10.9 and 8.8 steels, aluminum and EGH, etc.

Economical and reliable, alone or in combination with our other products, our metric special screws guarantee an optimal fastening system.

Price: 0.00€

For more information about this assembly solution,

please contact us at the e-mail address below:

fastenerlisi@lisi-group.com



938074



Our « thread forming screws » family has been designed to ensure secure fastening over time for all automotive assembly challenges.

This family includes a complete range of products: in 10.9 and 8.8 steels, aluminum and EGH, etc.

Economical and reliable, alone or in combination with our other products, our metric special screws guarantee an optimal fastening system.

Price: 0.00€

For more information about this assembly solution,

please contact us at the e-mail address below:

fastenerlisi@lisi-group.com

