

503879



Our « Screws for plastics » family has been designed to ensure secure fastening over time for all automotive assembly challenges.

This family includes a complete range of products: in 10.9 and 8.8 steels, aluminum and EGH, etc.

Economical and reliable, alone or in combination with our other products, our screws for plastics guarantee an optimal fastening system.

Rated:

Rated **0** out of 5

Price: 0.00€

For more information about this assembly solution,

please contact us at the e-mail address below:

fastenerlisi@lisi-group.com



503938

Our « Screws for plastics » family has been designed to ensure secure fastening over time for all automotive assembly challenges.

This family includes a complete range of products: in 10.9 and 8.8 steels, aluminum and EGH, etc.

Economical and reliable, alone or in combination with our other products, our screws for plastics guarantee an optimal fastening system.

Rated:

Rated **0** out of 5

Price: 0.00€

For more information about this assembly solution,

please contact us at the e-mail address below:

fastenerlisi@lisi-group.com



503951



Our « Screws for plastics » family has been designed to ensure secure fastening over time for all automotive assembly challenges.

This family includes a complete range of products: in 10.9 and 8.8 steels, aluminum and EGH, etc.

Economical and reliable, alone or in combination with our other products, our screws for plastics guarantee an optimal fastening system.

Rated:

Rated **0** out of 5

Price: 0.00€

For more information about this assembly solution,

please contact us at the e-mail address below:

fastenerlisi@lisi-group.com



503985



Our « Screws for plastics » family has been designed to ensure secure fastening over time for all automotive assembly challenges.

This family includes a complete range of products: in 10.9 and 8.8 steels, aluminum and EGH, etc.

Economical and reliable, alone or in combination with our other products, our screws for plastics guarantee an optimal fastening system.

Rated:

Rated **0** out of 5

Price: 0.00€

For more information about this assembly solution,

please contact us at the e-mail address below:

fastenerlisi@lisi-group.com



504000



Our « Screws for plastics » family has been designed to ensure secure fastening over time for all automotive assembly challenges.

This family includes a complete range of products: in 10.9 and 8.8 steels, aluminum and EGH, etc.

Economical and reliable, alone or in combination with our other products, our screws for plastics guarantee an optimal fastening system.

Rated:

Rated **0** out of 5

Price: 0.00€

For more information about this assembly solution,

please contact us at the e-mail address below:

fastenerlisi@lisi-group.com



504015

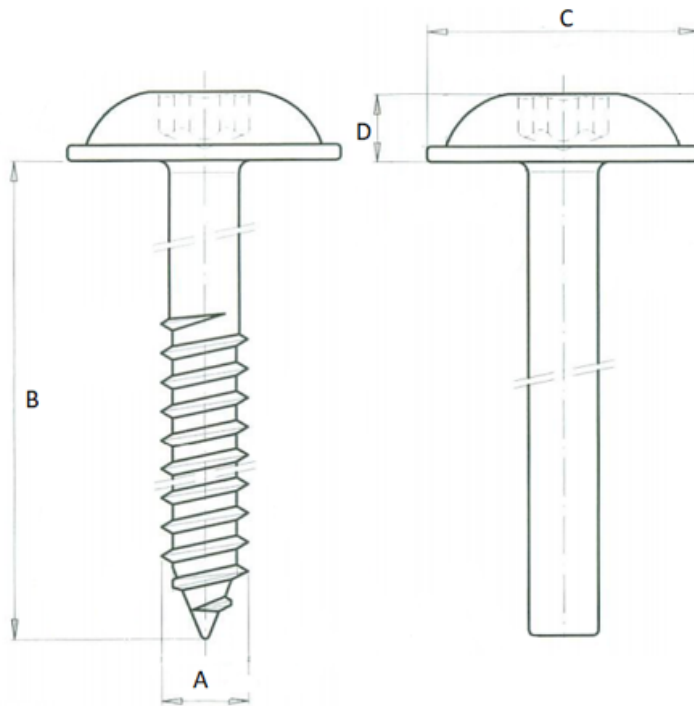


Our « Sheet metal screws with pre hole » family has been designed to ensure secure fastening over time for all automotive assembly challenges.

This family includes a complete range of products: in 10.9 and 8.8 steels, aluminum and EGH, etc.

Economical and reliable, alone or in combination with our other products, our sheet metal screws with pre hole guarantee an optimal fastening system.

Part print



Rated:

Rated **0** out of 5

Price: 0.00€

For more information about this assembly solution,

please contact us at the e-mail address below:

fastenerlisi@lisi-group.com



504058



Our « Screws for plastics » family has been designed to ensure secure fastening over time for all automotive assembly challenges.

This family includes a complete range of products: in 10.9 and 8.8 steels, aluminum and EGH, etc.

Economical and reliable, alone or in combination with our other products, our screws for plastics guarantee an optimal fastening system.

Rated:

Rated **0** out of 5

Price: 0.00€

For more information about this assembly solution,

please contact us at the e-mail address below:

fastenerlisi@lisi-group.com

504084

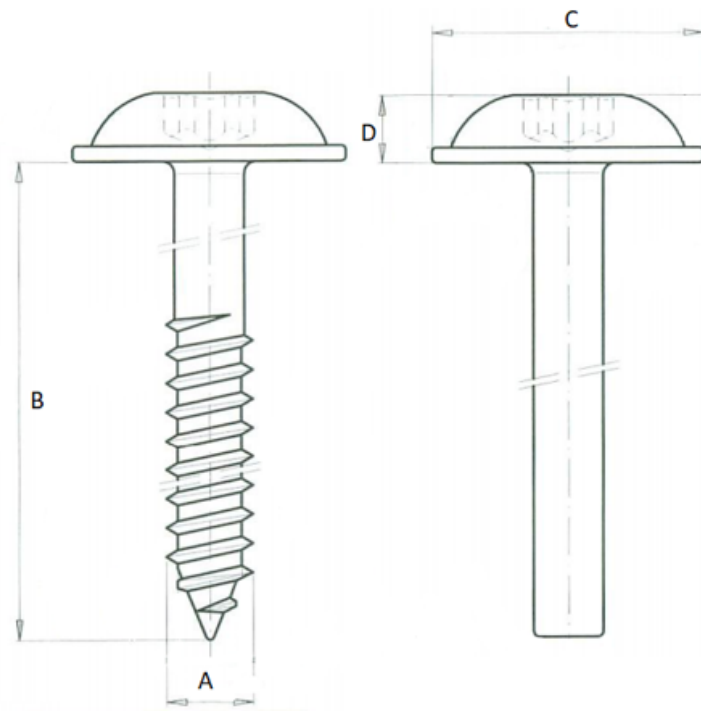


Our « Sheet metal screws with pre hole » family has been designed to ensure secure fastening over time for all automotive assembly challenges.

This family includes a complete range of products: in 10.9 and 8.8 steels, aluminum and EGH, etc.

Economical and reliable, alone or in combination with our other products, our sheet metal screws with pre hole guarantee an optimal fastening system.

Part print



Rated:

Rated **0** out of 5

Price: 0.00€

For more information about this assembly solution,

please contact us at the e-mail address below:

fastenerlisi@lisi-group.com

504113



Our « Screws for plastics » family has been designed to ensure secure fastening over time for all automotive assembly challenges.

This family includes a complete range of products: in 10.9 and 8.8 steels, aluminum and EGH, etc.

Economical and reliable, alone or in combination with our other products, our screws for plastics guarantee an optimal fastening system.

Rated:

Rated **0** out of 5

Price: 0.00€

For more information about this assembly solution,

please contact us at the e-mail address below:

fastenerlisi@lisi-group.com



504116

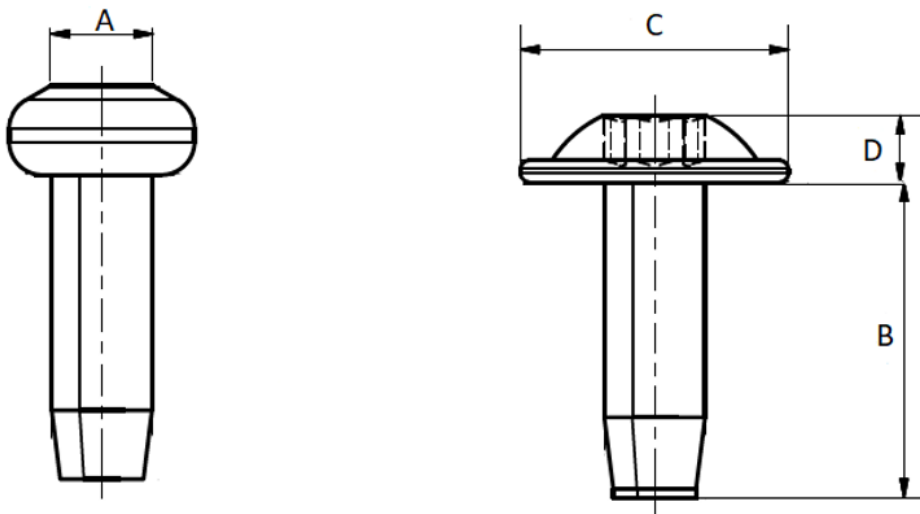


Our « thread forming screws » family has been designed to ensure secure fastening over time for all automotive assembly challenges.

This family includes a complete range of products: in 10.9 and 8.8 steels, aluminum and EGH, etc.

Economical and reliable, alone or in combination with our other products, our metric special screws guarantee an optimal fastening system.

Part print



Rated:

Rated **0** out of 5

Price: 0.00€

For more information about this assembly solution,

please contact us at the e-mail address below:

fastenerlisi@lisi-group.com



504127

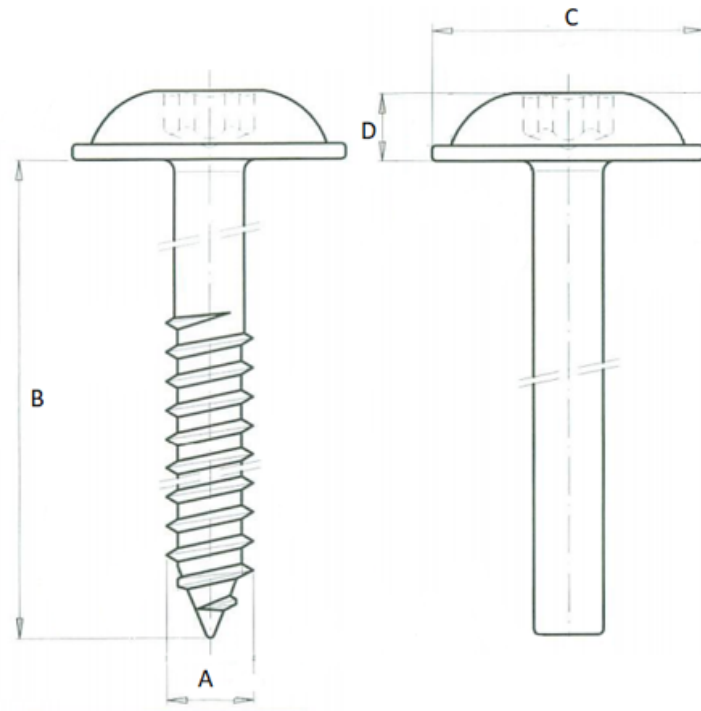


Our « Sheet metal screws with pre hole » family has been designed to ensure secure fastening over time for all automotive assembly challenges.

This family includes a complete range of products: in 10.9 and 8.8 steels, aluminum and EGH, etc.

Economical and reliable, alone or in combination with our other products, our sheet metal screws with pre hole guarantee an optimal fastening system.

Part print



Rated:

Rated **0** out of 5

Price: 0.00€

For more information about this assembly solution,

please contact us at the e-mail address below:

fastenerlisi@lisi-group.com

504136



Our « Screws for plastics » family has been designed to ensure secure fastening over time for all automotive assembly challenges.

This family includes a complete range of products: in 10.9 and 8.8 steels, aluminum and EGH, etc.

Economical and reliable, alone or in combination with our other products, our screws for plastics guarantee an optimal fastening system.

Rated:

Rated **0** out of 5

Price: 0.00€

For more information about this assembly solution,

please contact us at the e-mail address below:

fastenerlisi@lisi-group.com



504143

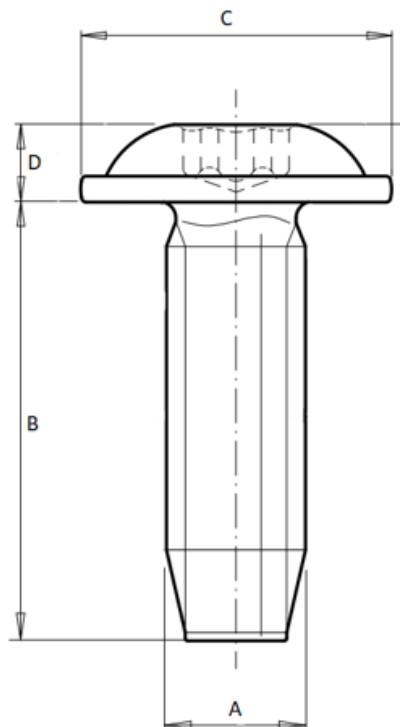


Our « thread forming screws » family has been designed to ensure secure fastening over time for all automotive assembly challenges.

This family includes a complete range of products: in 10.9 and 8.8 steels, aluminum and EGH, etc.

Economical and reliable, alone or in combination with our other products, our metric special screws guarantee an optimal fastening system.

Part print



Rated:

Rated **0** out of 5

Price: 0.00€

For more information about this assembly solution,

please contact us at the e-mail address below:

fastenerlisi@lisi-group.com



504146



Our « Screws for plastics » family has been designed to ensure secure fastening over time for all automotive assembly challenges.

This family includes a complete range of products: in 10.9 and 8.8 steels, aluminum and EGH, etc.

Economical and reliable, alone or in combination with our other products, our screws for plastics guarantee an optimal fastening system.

Rated:

Rated **0** out of 5

Price: 0.00€

For more information about this assembly solution,

please contact us at the e-mail address below:

fastenerlisi@lisi-group.com



504150



Our « Screws for plastics » family has been designed to ensure secure fastening over time for all automotive assembly challenges.

This family includes a complete range of products: in 10.9 and 8.8 steels, aluminum and EGH, etc.

Economical and reliable, alone or in combination with our other products, our screws for plastics guarantee an optimal fastening system.

Rated:

Rated **0** out of 5

Price: 0.00€

For more information about this assembly solution,

please contact us at the e-mail address below:

fastenerlisi@lisi-group.com

