

504821



Our « Sheet metal screws with pre hole » family has been designed to ensure secure fastening over time for all automotive assembly challenges.

This family includes a complete range of products: in 10.9 and 8.8 steels, aluminum and EGH, etc.

Economical and reliable, alone or in combination with our other products, our sheet metal screws with pre hole guarantee an optimal fastening system.

Rated:

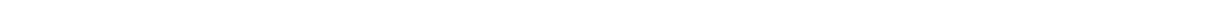
Rated **0** out of 5

Price: 0.00€

For more information about this assembly solution,

please contact us at the e-mail address below:

fastenerlisi@lisi-group.com



504826



Our « Sheet metal screws with pre hole » family has been designed to ensure secure fastening over time for all automotive assembly challenges.

This family includes a complete range of products: in 10.9 and 8.8 steels, aluminum and EGH, etc.

Economical and reliable, alone or in combination with our other products, our sheet metal screws with pre hole guarantee an optimal fastening system.

Rated:

Rated **0** out of 5

Price: 0.00€

For more information about this assembly solution,

please contact us at the e-mail address below:

fastenerlisi@lisi-group.com



504829

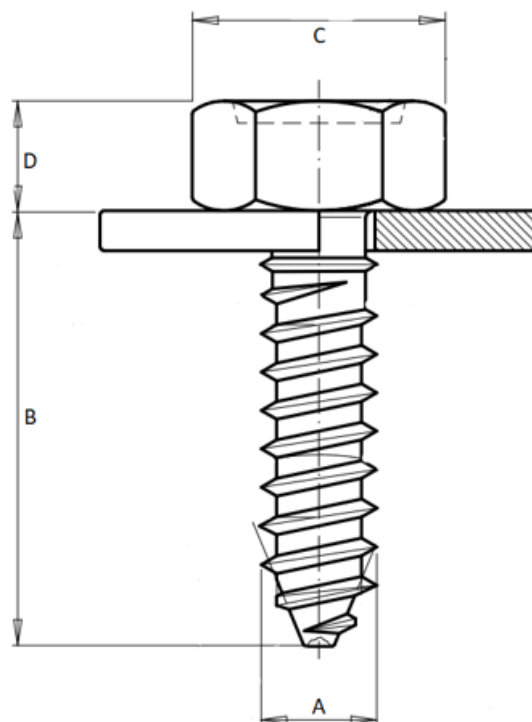


Our « Sheet metal screws with pre hole » family has been designed to ensure secure fastening over time for all automotive assembly challenges.

This family includes a complete range of products: in 10.9 and 8.8 steels, aluminum and EGH, etc.

Economical and reliable, alone or in combination with our other products, our sheet metal screws with pre hole guarantee an optimal fastening system.

Part print



Rated:

Rated **0** out of 5

Price: 0.00€

For more information about this assembly solution,
please contact us at the e-mail address below:

fastenerlisi@lisi-group.com



504830



Our « Sheet metal screws with pre hole » family has been designed to ensure secure fastening over time for all automotive assembly challenges.

This family includes a complete range of products: in 10.9 and 8.8 steels, aluminum and EGH, etc.

Economical and reliable, alone or in combination with our other products, our sheet metal screws with pre hole guarantee an optimal fastening system.

Rated:

Rated **0** out of 5

Price: 0.00€

For more information about this assembly solution,

please contact us at the e-mail address below:

fastenerlisi@lisi-group.com



504833



Our « Screws for plastics » family has been designed to ensure secure fastening over time for all automotive assembly challenges.

This family includes a complete range of products: in 10.9 and 8.8 steels, aluminum and EGH, etc.

Economical and reliable, alone or in combination with our other products, our screws for plastics guarantee an optimal fastening system.

Rated:

Rated **0** out of 5

Price: 0.00€

For more information about this assembly solution,

please contact us at the e-mail address below:

fastenerlisi@lisi-group.com



504846



Our « Screws for plastics » family has been designed to ensure secure fastening over time for all automotive assembly challenges.

This family includes a complete range of products: in 10.9 and 8.8 steels, aluminum and EGH, etc.

Economical and reliable, alone or in combination with our other products, our screws for plastics guarantee an optimal fastening system.

Rated:

Rated **0** out of 5

Price: 0.00€

For more information about this assembly solution,

please contact us at the e-mail address below:

fastenerlisi@lisi-group.com



504847



Our « Screws for plastics » family has been designed to ensure secure fastening over time for all automotive assembly challenges.

This family includes a complete range of products: in 10.9 and 8.8 steels, aluminum and EGH, etc.

Economical and reliable, alone or in combination with our other products, our screws for plastics guarantee an optimal fastening system.

Rated:

Rated **0** out of 5

Price: 0.00€

For more information about this assembly solution,

please contact us at the e-mail address below:

fastenerlisi@lisi-group.com

504862



Our « Screws for plastics » family has been designed to ensure secure fastening over time for all automotive assembly challenges.

This family includes a complete range of products: in 10.9 and 8.8 steels, aluminum and EGH, etc.

Economical and reliable, alone or in combination with our other products, our screws for plastics guarantee an optimal fastening system.

Rated:

Rated **0** out of 5

Price: 0.00€

For more information about this assembly solution,

please contact us at the e-mail address below:

504871



Our « Sheet metal screws with pre hole » family has been designed to ensure secure fastening over time for all automotive assembly challenges.

This family includes a complete range of products: in 10.9 and 8.8 steels, aluminum and EGH, etc.

Economical and reliable, alone or in combination with our other products, our sheet metal screws with pre hole guarantee an optimal fastening system.

Rated:

Rated **0** out of 5

Price: 0.00€

For more information about this assembly solution,

please contact us at the e-mail address below:

fastenerlisi@lisi-group.com

504896



Our « thread forming screws » family has been designed to ensure secure fastening over time for all automotive assembly challenges.

This family includes a complete range of products: in 10.9 and 8.8 steels, aluminum and EGH, etc.

Economical and reliable, alone or in combination with our other products, our metric special screws guarantee an optimal fastening system.

Rated:

Rated **0** out of 5

Price: 0.00€

For more information about this assembly solution,

please contact us at the e-mail address below:

fastenerlisi@lisi-group.com

504913



Our « thread forming screws » family has been designed to ensure secure fastening over time for all automotive assembly challenges.

This family includes a complete range of products: in 10.9 and 8.8 steels, aluminum and EGH, etc.

Economical and reliable, alone or in combination with our other products, our metric special screws guarantee an optimal fastening system.

Rated:

Rated **0** out of 5

Price: 0.00€

For more information about this assembly solution,

please contact us at the e-mail address below:

fastenerlisi@lisi-group.com

504920



Our « thread forming screws » family has been designed to ensure secure fastening over time for all automotive assembly challenges.

This family includes a complete range of products: in 10.9 and 8.8 steels, aluminum and EGH, etc.

Economical and reliable, alone or in combination with our other products, our metric special screws guarantee an optimal fastening system.

Rated:

Rated **0** out of 5

Price: 0.00€

For more information about this assembly solution,

please contact us at the e-mail address below:

fastenerlisi@lisi-group.com



504933



Our « Screws for plastics » family has been designed to ensure secure fastening over time for all automotive assembly challenges.

This family includes a complete range of products: in 10.9 and 8.8 steels, aluminum and EGH, etc.

Economical and reliable, alone or in combination with our other products, our screws for plastics guarantee an optimal fastening system.

Rated:

Rated **0** out of 5

Price: 0.00€

For more information about this assembly solution,

please contact us at the e-mail address below:

fastenerlisi@lisi-group.com



504939



Our « Sheet metal screws with pre hole » family has been designed to ensure secure fastening over time for all automotive assembly challenges.

This family includes a complete range of products: in 10.9 and 8.8 steels, aluminum and EGH, etc.

Economical and reliable, alone or in combination with our other products, our sheet metal screws with pre hole guarantee an optimal fastening system.

Rated:

Rated **0** out of 5

Price: 0.00€

For more information about this assembly solution,

please contact us at the e-mail address below:

fastenerlisi@lisi-group.com



504946



Our « Sheet metal screws with pre hole » family has been designed to ensure secure fastening over time for all automotive assembly challenges.

This family includes a complete range of products: in 10.9 and 8.8 steels, aluminum and EGH, etc.

Economical and reliable, alone or in combination with our other products, our sheet metal screws with pre hole guarantee an optimal fastening system.

Rated:

Rated **0** out of 5

Price: 0.00€

For more information about this assembly solution,

please contact us at the e-mail address below:

fastenerlisi@lisi-group.com

