

937857

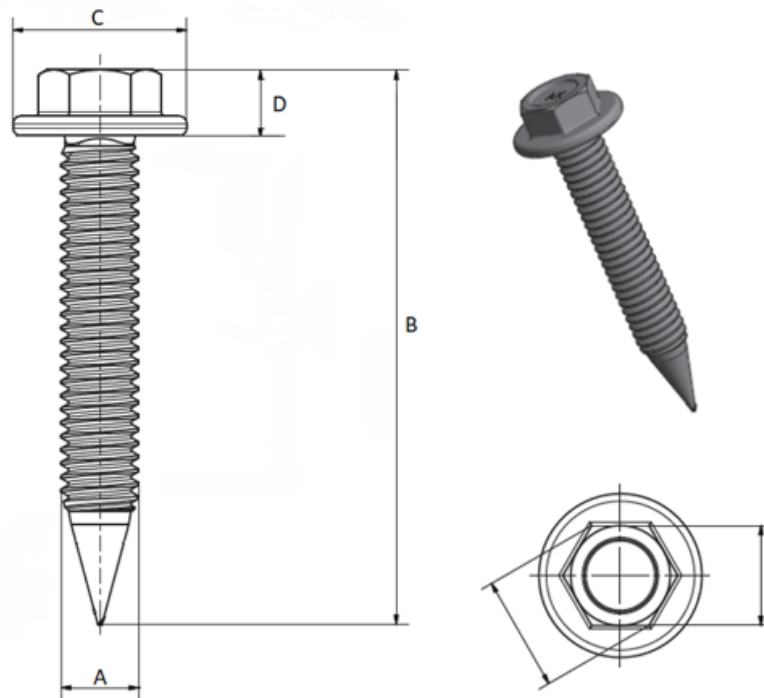
For more information about this assembly solution,

please contact us at the e-mail address below:

fastenerlisi@lisi-group.com



Part print



Rated:

Rated **0** out of 5

Categories: Applications Screws, EBS Screws, Our Products, Screws for multi-material applications or sheet metal without pre hole

Product Short Description :

Our « EBS screws family » has been designed to quickly, securely and durably assemble different materials together such as: carbon-fiber composites, steel, aluminum, plastics, etc.

This range of flow-tapping screws has advantageous technical characteristics, such as the creation of a tapped barrel without residual shavings, the possibility to assemble additional components in different materials without pre-drilling etc.

Our EBS screws also allow the attachment of optional accessories and trim directly onto the body-in-white (for example the bumper, the window frame, the B-Pillar, etc.) without a pre-punched hole.

Additional Information:

- Dimensions: N/A
- Weight: N/A
- Drive: Internal hexalobular
- Ø Final [A] (mm): 3.5
- Final length [B] (mm): 13
- Ø Head [C] (mm): 8.5
- Head Height [D] (mm): 3
- Headshape: Cylindrical head with flange
- ISO: /
- Material: 8.8 Induction hardened
- Point: EBS-point
- Property class: 8.8 induction hardened, case hardened
- Surface treatment screw: ZN/NI8 FBL PAS/TL244, ZN/NI8 SW/D-COLLGZSW(S625)
- Thread: Metric Thread
- Washer: /

For more information about this assembly solution,

please contact us at the e-mail address below:

fastenerlisi@lisi-group.com

