

# 933176

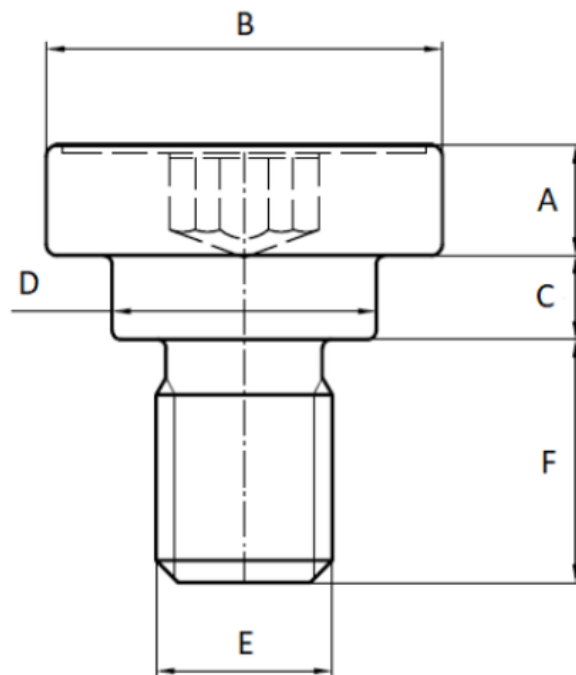
For more information about this assembly solution,

please contact us at the e-mail address below:

[fastenerlisi@lisi-group.com](mailto:fastenerlisi@lisi-group.com)



Part print



**Rated:**

Rated **0** out of 5

**Categories:** Anti-creep shoulder screws, Our Products, Shoulder screws, Tailormade Parts

**Product Short Description :**

---

Our « Anti Creep shoulder screws » family has been designed to reinforce clearance holes in plastics to provide a metal to metal contact allowing the application of clamping forces and limit the compression to avoid over-stressing of the plastic.

This family includes a complete range of various products : in steel 10.9, steel 8.8, aluminum and EGH, etc.

In addition to allowing a durable and safe assembly, our anti-creep shoulder screws solutions have advantageous characteristics such as the stability of the preload under flexible assembly conditions, the speed of assembly thanks to the pre-assembly system, etc.

---

**Additional Information:**

- Dimensions: N/A
- Weight: N/A
- Drive: internal hexalobular
- Material: Steel 8.8
- Head Height [A] (mm): 3.3
- Ø Head [B] (mm): 20.4
- Shoulder Height [C] (mm): 11,7-12,3
- Ø Shoulder [D] (mm): 12,9-13,1
- Ø Thread [E]: M10
- Final length [F] (mm): 22

For more information about this assembly solution,

please contact us at the e-mail address below:

[fastenerlisi@lisi-group.com](mailto:fastenerlisi@lisi-group.com)

