

504285

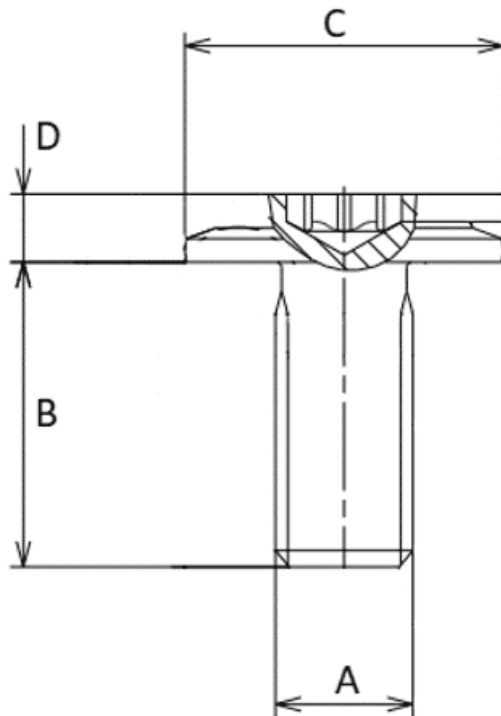
For more information about this assembly solution,

please contact us at the e-mail address below:

fastenerlisi@lisi-group.com



Part print



Categories: Applications Screws, M6 without washer, Metric special screws M6, Our Products

Product Short Description :

Our « Metric special screws » family has been designed to ensure secure fastening over time for all automotive assembly challenges.

This family includes a complete range of products: in 10.9 and 8.8 steels, aluminum and EGH, etc.

Economical and reliable, alone or in combination with our other products, our metric special screws guarantee an optimal fastening system.

Additional Information:

- Dimensions: N/A
- Weight: N/A
- Drive: internal hexalobular
- Ø Final [A] (mm): 6
- Final length [B] (mm): 32
- Ø Head [C] (mm): 13.5
- Head Height [D] (mm): 3.7
- Headshape: cylindrical head with flange
- Property class: 8.8
- Thread type: self-tapping thread
- Washer: no washer

For more information about this assembly solution,

please contact us at the e-mail address below:

fastenerlisi@lisi-group.com

