

# 505303



---

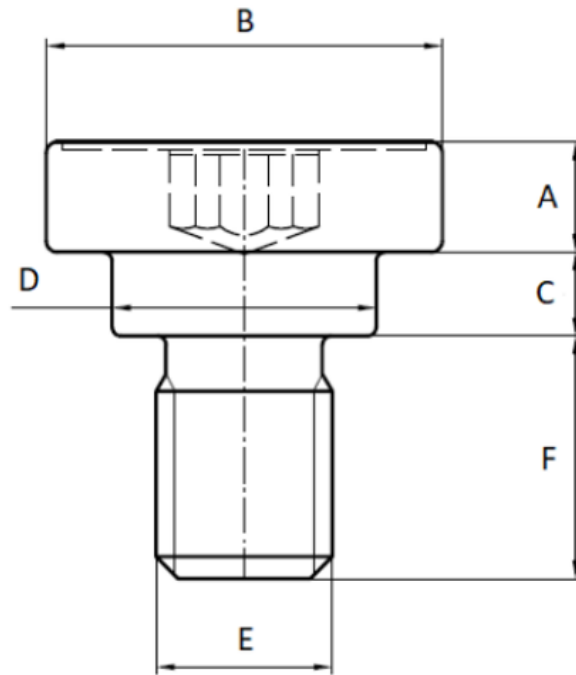
Our « Anti Creep shoulder screws » family has been designed to reinforce clearance holes in plastics to provide a metal to metal contact allowing the application of clamping forces and limit the compression to avoid over-stressing of the plastic.

This family includes a complete range of various products : in steel 10.9, steel 8.8, aluminum and EGH, etc.

In addition to allowing a durable and safe assembly, our anti-creep shoulder screws solutions have advantageous characteristics such as the stability of the preload under flexible assembly conditions, the speed of assembly thanks to the pre-assembly system, etc.

---

Part print



**Rated:**

Rated **0** out of 5

**Price:** 0.00€

For more information about this assembly solution,

please contact us at the e-mail address below:

[fastenerlisi@lisi-group.com](mailto:fastenerlisi@lisi-group.com)

---

934516



---

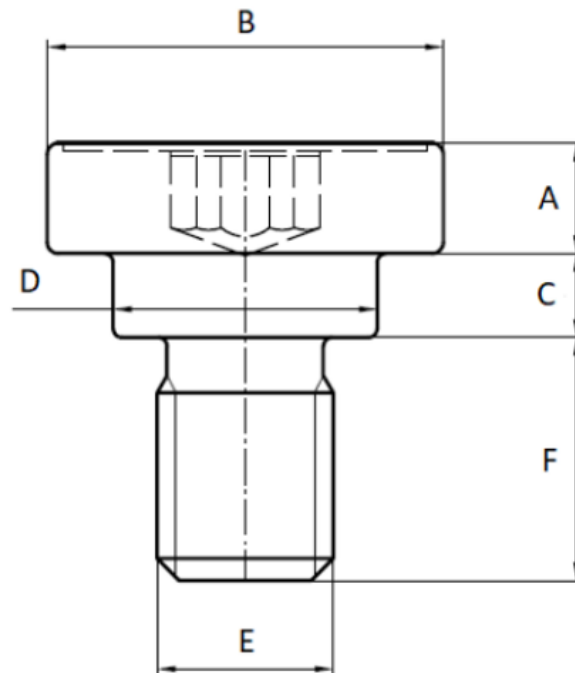
Our « Anti Creep shoulder screws » family has been designed to reinforce clearance holes in plastics to provide a metal to metal contact allowing the application of clamping forces and limit the compression to avoid over-stressing of the plastic.

This family includes a complete range of various products : in steel 10.9, steel 8.8, aluminum and EGH, etc.

In addition to allowing a durable and safe assembly, our anti-creep shoulder screws solutions have advantageous characteristics such as the stability of the preload under flexible assembly conditions, the speed of assembly thanks to the pre-assembly system, etc.

---

Part print



**Rated:**

Rated **0** out of 5

**Price:** 0.00€

For more information about this assembly solution,

please contact us at the e-mail address below:

[fastenerlisi@lisi-group.com](mailto:fastenerlisi@lisi-group.com)



---

# 935120

-----

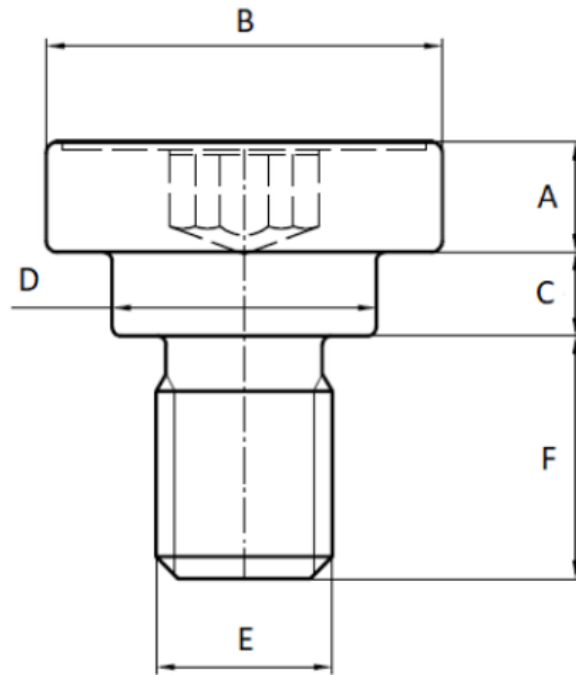
Our « Anti Creep shoulder screws » family has been designed to reinforce clearance holes in plastics to provide a metal to metal contact allowing the application of clamping forces and limit the compression to avoid over-stressing of the plastic.

This family includes a complete range of various products : in steel 10.9, steel 8.8, aluminum and EGH, etc.

In addition to allowing a durable and safe assembly, our anti-creep shoulder screws solutions have advantageous characteristics such as the stability of the preload under flexible assembly conditions, the speed of assembly thanks to the pre-assembly system, etc.

-----

Part print



**Rated:**

Rated **0** out of 5

**Price:** 0.00€

For more information about this assembly solution,

please contact us at the e-mail address below:

[fastenerlisi@lisi-group.com](mailto:fastenerlisi@lisi-group.com)

---

935859



---

Our « Anti Creep shoulder screws » family has been designed to reinforce clearance holes in plastics to provide a metal to metal contact allowing the application of clamping forces and limit the compression to avoid over-stressing of the plastic.

This family includes a complete range of various products : in steel 10.9, steel 8.8, aluminum and EGH, etc.

In addition to allowing a durable and safe assembly, our anti-creep shoulder screws solutions have advantageous characteristics such as the stability of the preload under flexible assembly conditions, the speed of assembly thanks to the pre-assembly system, etc.

---

**Rated:**

Rated **0** out of 5

**Price:** 0.00€

For more information about this assembly solution,

please contact us at the e-mail address below:

[fastenerlisi@lisi-group.com](mailto:fastenerlisi@lisi-group.com)



# 938011



---

Our « Anti Creep shoulder screws » family has been designed to reinforce clearance holes in plastics to provide a metal to metal contact allowing the application of clamping forces and limit the compression to avoid over-stressing of the plastic.

This family includes a complete range of various products : in steel 10.9, steel 8.8, aluminum and EGH, etc.

In addition to allowing a durable and safe assembly, our anti-creep shoulder screws solutions have advantageous characteristics such as the stability of the preload under flexible assembly conditions, the speed of assembly thanks to the pre-assembly system, etc.

---

## **Rated:**

Rated **0** out of 5

**Price:** 0.00€

For more information about this assembly solution,

please contact us at the e-mail address below:

[fastenerlisi@lisi-group.com](mailto:fastenerlisi@lisi-group.com)



---

# 938390

---

Our « Anti Creep shoulder screws » family has been designed to reinforce clearance holes in plastics to provide a metal to metal contact allowing the application of clamping forces and limit the compression to avoid over-stressing of the plastic.

This family includes a complete range of various products : in steel 10.9, steel 8.8, aluminum and EGH, etc.

In addition to allowing a durable and safe assembly, our anti-creep shoulder screws solutions have advantageous characteristics such as the stability of the preload under flexible assembly conditions, the speed of assembly thanks to the pre-assembly system, etc.

---

## **Rated:**

Rated **0** out of 5

**Price:** 0.00€

For more information about this assembly solution,

please contact us at the e-mail address below:

[fastenerlisi@lisi-group.com](mailto:fastenerlisi@lisi-group.com)

