

# 503103



---

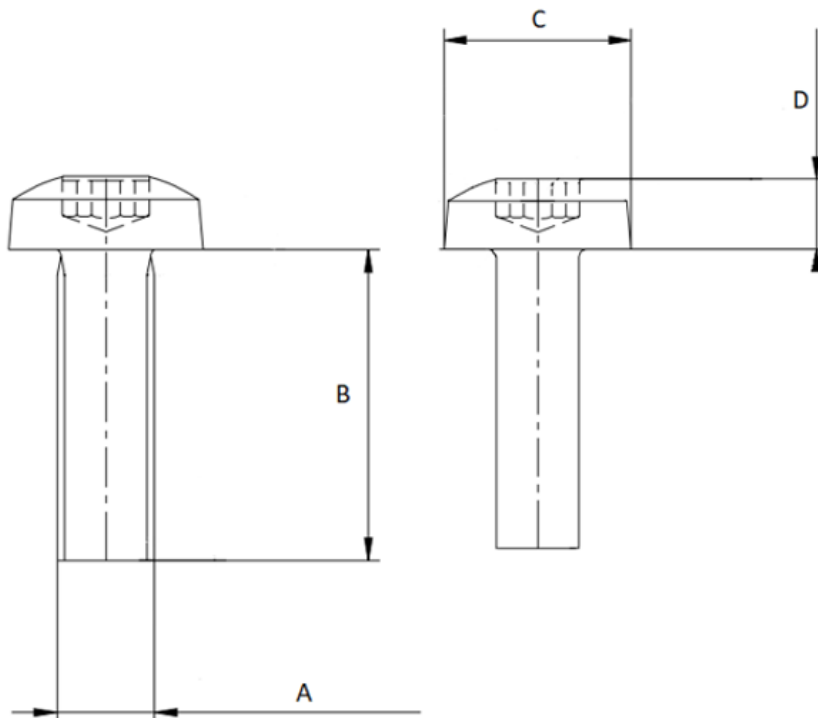
Our « Metric special screws » family has been designed to ensure secure fastening over time for all automotive assembly challenges.

This family includes a complete range of products: in 10.9 and 8.8 steels, aluminum and EGH, etc.

Economical and reliable, alone or in combination with our other products, our metric special screws guarantee an optimal fastening system.

---

Part print



**Price:** 0.00€

For more information about this assembly solution,

please contact us at the e-mail address below:

[fastenerlisi@lisi-group.com](mailto:fastenerlisi@lisi-group.com)



---

# 929397



---

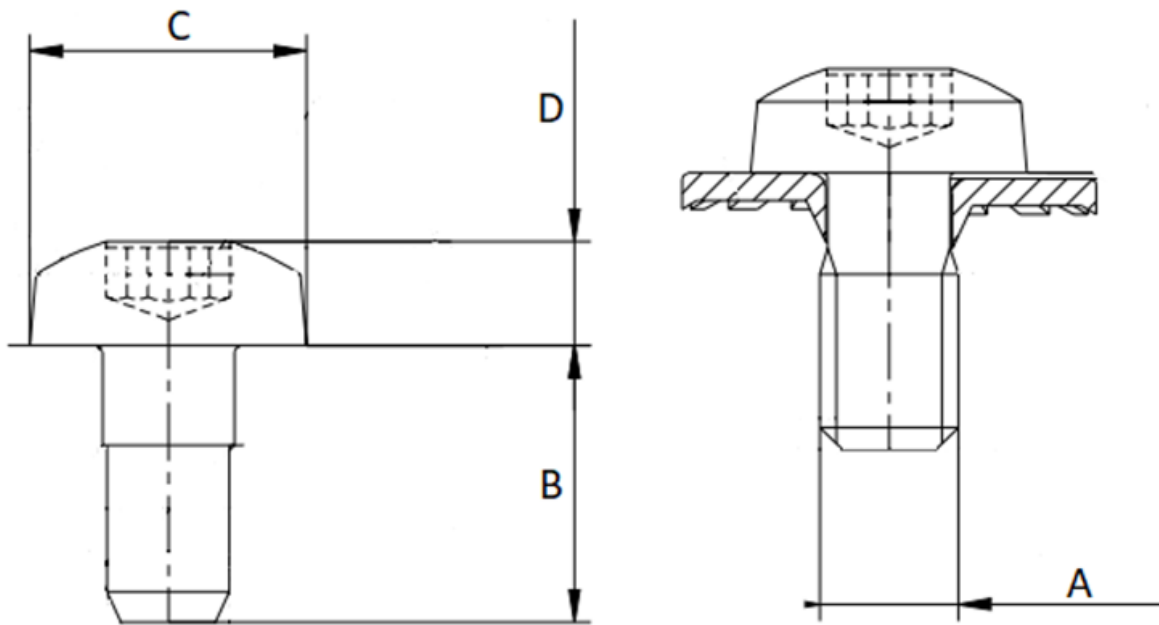
Our « Metric special screws » family has been designed to ensure secure fastening over time for all automotive assembly challenges.

This family includes a complete range of products: in 10.9 and 8.8 steels, aluminum and EGH, etc.

Economical and reliable, alone or in combination with our other products, our metric special screws guarantee an optimal fastening system.

---

Part print



**Price:** 0.00€

For more information about this assembly solution,

please contact us at the e-mail address below:

[fastenerlisi@lisi-group.com](mailto:fastenerlisi@lisi-group.com)

