

# 505075



---

Our « Metric special screws » family has been designed to ensure secure fastening over time for all automotive assembly challenges.

This family includes a complete range of products: in 10.9 and 8.8 steels, aluminum and EGH, etc.

Economical and reliable, alone or in combination with our other products, our metric special screws guarantee an optimal fastening system.

---

**Rated:**

Rated **0** out of 5

**Price:** 0.00€

For more information about this assembly solution,

please contact us at the e-mail address below:

[fastenerlisi@lisi-group.com](mailto:fastenerlisi@lisi-group.com)



# 505089



---

Our « Metric special screws » family has been designed to ensure secure fastening over time for all automotive assembly challenges.

This family includes a complete range of products: in 10.9 and 8.8 steels, aluminum and EGH, etc.

Economical and reliable, alone or in combination with our other products, our metric special screws guarantee an optimal fastening system.

---

**Rated:**

Rated **0** out of 5

**Price:** 0.00€

For more information about this assembly solution,

please contact us at the e-mail address below:

[fastenerlisi@lisi-group.com](mailto:fastenerlisi@lisi-group.com)



# 505090



---

Our « Metric special screws » family has been designed to ensure secure fastening over time for all automotive assembly challenges.

This family includes a complete range of products: in 10.9 and 8.8 steels, aluminum and EGH, etc.

Economical and reliable, alone or in combination with our other products, our metric special screws guarantee an optimal fastening system.

---

**Rated:**

Rated **0** out of 5

**Price:** 0.00€

For more information about this assembly solution,

please contact us at the e-mail address below:

[fastenerlisi@lisi-group.com](mailto:fastenerlisi@lisi-group.com)



# 505092

---

Our « Metric special screws » family has been designed to ensure secure fastening over time for all automotive assembly challenges.

This family includes a complete range of products: in 10.9 and 8.8 steels, aluminum and EGH, etc.

Economical and reliable, alone or in combination with our other products, our metric special screws guarantee an optimal fastening system.

---

## Rated:

Rated **0** out of 5

**Price:** 0.00€

For more information about this assembly solution,

please contact us at the e-mail address below:

[fastenerlisi@lisi-group.com](mailto:fastenerlisi@lisi-group.com)



---

# 505095



---

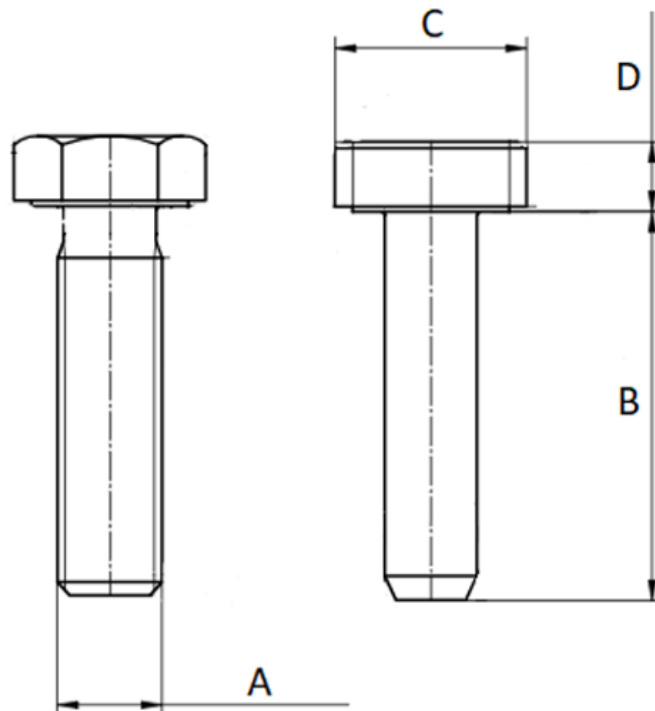
Our « Metric special screws » family has been designed to ensure secure fastening over time for all automotive assembly challenges.

This family includes a complete range of products: in 10.9 and 8.8 steels, aluminum and EGH, etc.

Economical and reliable, alone or in combination with our other products, our metric special screws guarantee an optimal fastening system.

---

Part print



**Rated:**

Rated **0** out of 5

**Price:** 0.00€

For more information about this assembly solution,

please contact us at the e-mail address below:

[fastenerlisi@lisi-group.com](mailto:fastenerlisi@lisi-group.com)



---

# 505106



-----  
Our « Metric special screws » family has been designed to ensure secure fastening over time for all automotive assembly challenges.

This family includes a complete range of products: in 10.9 and 8.8 steels, aluminum and EGH, etc.

Economical and reliable, alone or in combination with our other products, our metric special screws guarantee an optimal fastening system.

-----

**Rated:**

Rated **0** out of 5

**Price:** 0.00€

For more information about this assembly solution,

please contact us at the e-mail address below:

[fastenerlisi@lisi-group.com](mailto:fastenerlisi@lisi-group.com)



---

# 505113



---

Our « Metric special screws » family has been designed to ensure secure fastening over time for all automotive assembly challenges.

This family includes a complete range of products: in 10.9 and 8.8 steels, aluminum and EGH, etc.

Economical and reliable, alone or in combination with our other products, our metric special screws guarantee an optimal fastening system.

---

**Rated:**

Rated **0** out of 5

**Price:** 0.00€

For more information about this assembly solution,

please contact us at the e-mail address below:

fastenerlisi@lisi-group.com

---

# 505158



---

Our « Metric special screws » family has been designed to ensure secure fastening over time for all automotive assembly challenges.

This family includes a complete range of products: in 10.9 and 8.8 steels, aluminum and EGH, etc.

Economical and reliable, alone or in combination with our other products, our metric special screws guarantee an optimal fastening system.

---

**Rated:**

Rated **0** out of 5

**Price:** 0.00€

For more information about this assembly solution,

please contact us at the e-mail address below:



---

# 505160



---

Our « Metric special screws » family has been designed to ensure secure fastening over time for all automotive assembly challenges.

This family includes a complete range of products: in 10.9 and 8.8 steels, aluminum and EGH, etc.

Economical and reliable, alone or in combination with our other products, our metric special screws guarantee an optimal fastening system.

---

**Rated:**

Rated **0** out of 5

**Price:** 0.00€

For more information about this assembly solution,

please contact us at the e-mail address below:

fastenerlisi@lisi-group.com

---

# 505166



---

Our « Sheet metal screws with pre hole » family has been designed to ensure secure fastening over time for all automotive assembly challenges.

This family includes a complete range of products: in 10.9 and 8.8 steels, aluminum and EGH, etc.

Economical and reliable, alone or in combination with our other products, our sheet metal screws with pre hole guarantee an optimal fastening system.

---

**Rated:**

Rated **0** out of 5

**Price:** 0.00€

For more information about this assembly solution,

please contact us at the e-mail address below:

[fastenerlisi@lisi-group.com](mailto:fastenerlisi@lisi-group.com)

---

---

# 505192

---

Our « Screws for plastics » family has been designed to ensure secure fastening over time for all automotive assembly challenges.

This family includes a complete range of products: in 10.9 and 8.8 steels, aluminum and EGH, etc.

Economical and reliable, alone or in combination with our other products, our screws for plastics guarantee an optimal fastening system.

---

**Rated:**

Rated **0** out of 5

**Price:** 0.00€

For more information about this assembly solution,

please contact us at the e-mail address below:

[fastenerlisi@lisi-group.com](mailto:fastenerlisi@lisi-group.com)



---

# 505201



---

Our « Metric special screws » family has been designed to ensure secure fastening over time for all automotive assembly challenges.

This family includes a complete range of products: in 10.9 and 8.8 steels, aluminum and EGH, etc.

Economical and reliable, alone or in combination with our other products, our metric special screws guarantee an optimal fastening system.

---

**Rated:**

Rated **0** out of 5

**Price:** 0.00€

For more information about this assembly solution,

please contact us at the e-mail address below:

[fastenerlisi@lisi-group.com](mailto:fastenerlisi@lisi-group.com)



---

# 505202



---

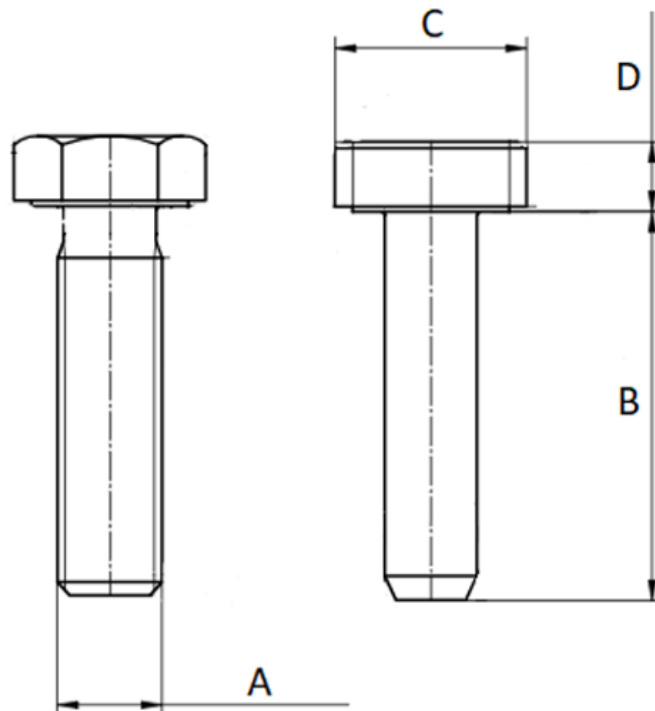
Our « Metric special screws » family has been designed to ensure secure fastening over time for all automotive assembly challenges.

This family includes a complete range of products: in 10.9 and 8.8 steels, aluminum and EGH, etc.

Economical and reliable, alone or in combination with our other products, our metric special screws guarantee an optimal fastening system.

---

Part print



**Rated:**

Rated **0** out of 5

**Price:** 0.00€

For more information about this assembly solution,

please contact us at the e-mail address below:

[fastenerlisi@lisi-group.com](mailto:fastenerlisi@lisi-group.com)



---

# 505205



-----  
Our « Screws for plastics » family has been designed to ensure secure fastening over time for all automotive assembly challenges.

This family includes a complete range of products: in 10.9 and 8.8 steels, aluminum and EGH, etc.

Economical and reliable, alone or in combination with our other products, our screws for plastics guarantee an optimal fastening system.

-----

**Rated:**

Rated **0** out of 5

**Price:** 0.00€

For more information about this assembly solution,

please contact us at the e-mail address below:

[fastenerlisi@lisi-group.com](mailto:fastenerlisi@lisi-group.com)

---

# 505208



---

Our « Metric special screws » family has been designed to ensure secure fastening over time for all automotive assembly challenges.

This family includes a complete range of products: in 10.9 and 8.8 steels, aluminum and EGH, etc.

Economical and reliable, alone or in combination with our other products, our metric special screws guarantee an optimal fastening system.

---

**Rated:**

Rated **0** out of 5

**Price:** 0.00€

For more information about this assembly solution,

please contact us at the e-mail address below:

[fastenerlisi@lisi-group.com](mailto:fastenerlisi@lisi-group.com)

