

503836

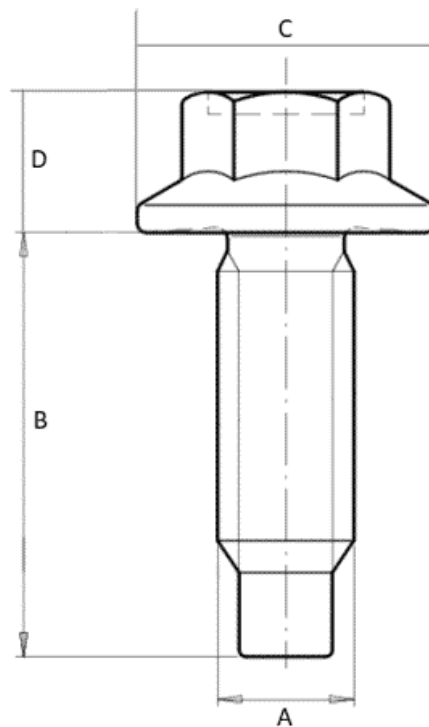


Our « Metric special screws » family has been designed to ensure secure fastening over time for all automotive assembly challenges.

This family includes a complete range of products: in 10.9 and 8.8 steels, aluminum and EGH, etc.

Economical and reliable, alone or in combination with our other products, our metric special screws guarantee an optimal fastening system.

Part print



Rated:

Rated **0** out of 5

Price: 0.00€

For more information about this assembly solution,

please contact us at the e-mail address below:

fastenerlisi@lisi-group.com



503970

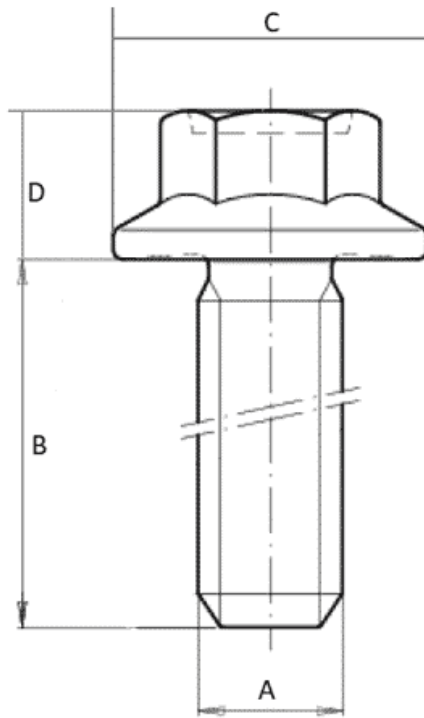


Our « Metric special screws » family has been designed to ensure secure fastening over time for all automotive assembly challenges.

This family includes a complete range of products: in 10.9 and 8.8 steels, aluminum and EGH, etc.

Economical and reliable, alone or in combination with our other products, our metric special screws guarantee an optimal fastening system.

Part print



Rated:

Rated **0** out of 5

Price: 0.00€

For more information about this assembly solution,

please contact us at the e-mail address below:

fastenerlisi@lisi-group.com



503971

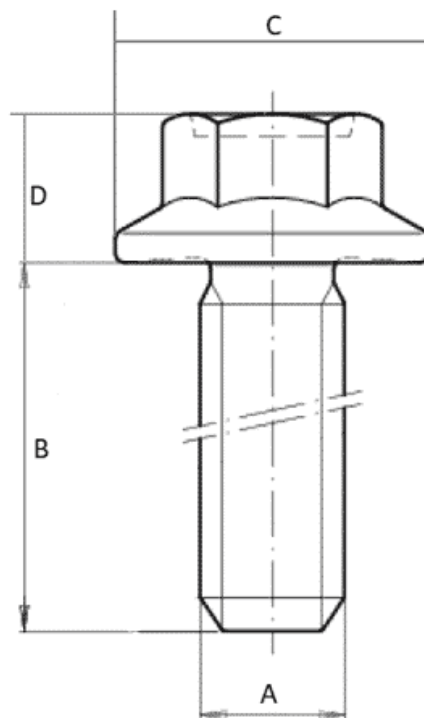


Our « Metric special screws » family has been designed to ensure secure fastening over time for all automotive assembly challenges.

This family includes a complete range of products: in 10.9 and 8.8 steels, aluminum and EGH, etc.

Economical and reliable, alone or in combination with our other products, our metric special screws guarantee an optimal fastening system.

Part print



Rated:

Rated **0** out of 5

Price: 0.00€

For more information about this assembly solution,

please contact us at the e-mail address below:

fastenerlisi@lisi-group.com



504011

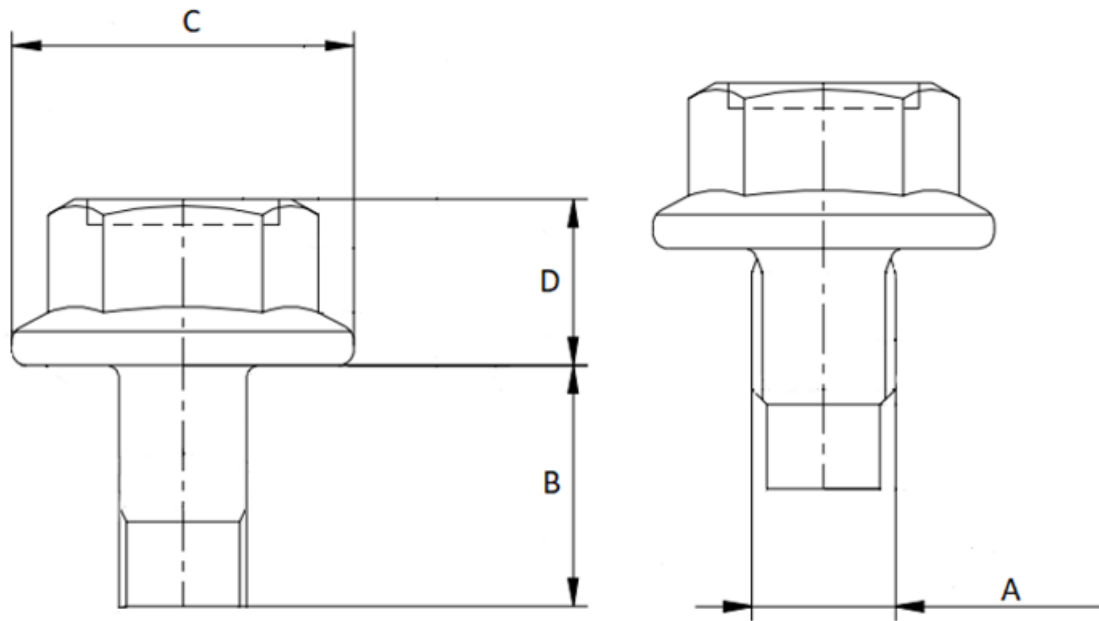


Our « Metric special screws » family has been designed to ensure secure fastening over time for all automotive assembly challenges.

This family includes a complete range of products: in 10.9 and 8.8 steels, aluminum and EGH, etc.

Economical and reliable, alone or in combination with our other products, our metric special screws guarantee an optimal fastening system.

Part print



Rated:

Rated **0** out of 5

Price: 0.00€

For more information about this assembly solution,

please contact us at the e-mail address below:

fastenerlisi@lisi-group.com

504012

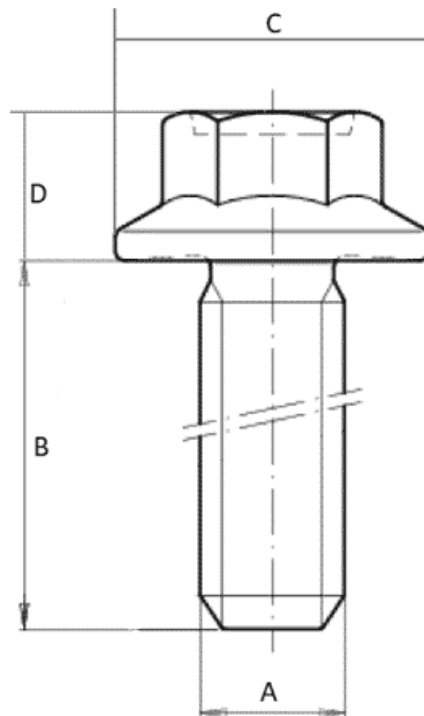


Our « Metric special screws » family has been designed to ensure secure fastening over time for all automotive assembly challenges.

This family includes a complete range of products: in 10.9 and 8.8 steels, aluminum and EGH, etc.

Economical and reliable, alone or in combination with our other products, our metric special screws guarantee an optimal fastening system.

Part print



Rated:

Rated **0** out of 5

Price: 0.00€

For more information about this assembly solution,

please contact us at the e-mail address below:

fastenerlisi@lisi-group.com



504073

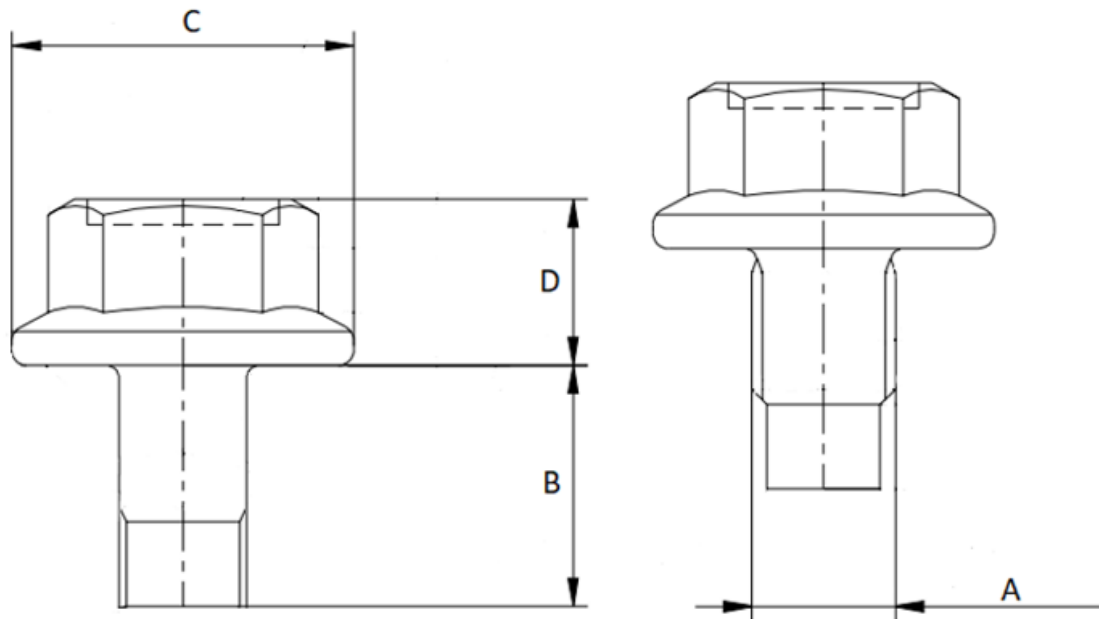


Our « Metric special screws » family has been designed to ensure secure fastening over time for all automotive assembly challenges.

This family includes a complete range of products: in 10.9 and 8.8 steels, aluminum and EGH, etc.

Economical and reliable, alone or in combination with our other products, our metric special screws guarantee an optimal fastening system.

Part print



Rated:

Rated **0** out of 5

Price: 0.00€

For more information about this assembly solution,

please contact us at the e-mail address below:

fastenerlisi@lisi-group.com



504147

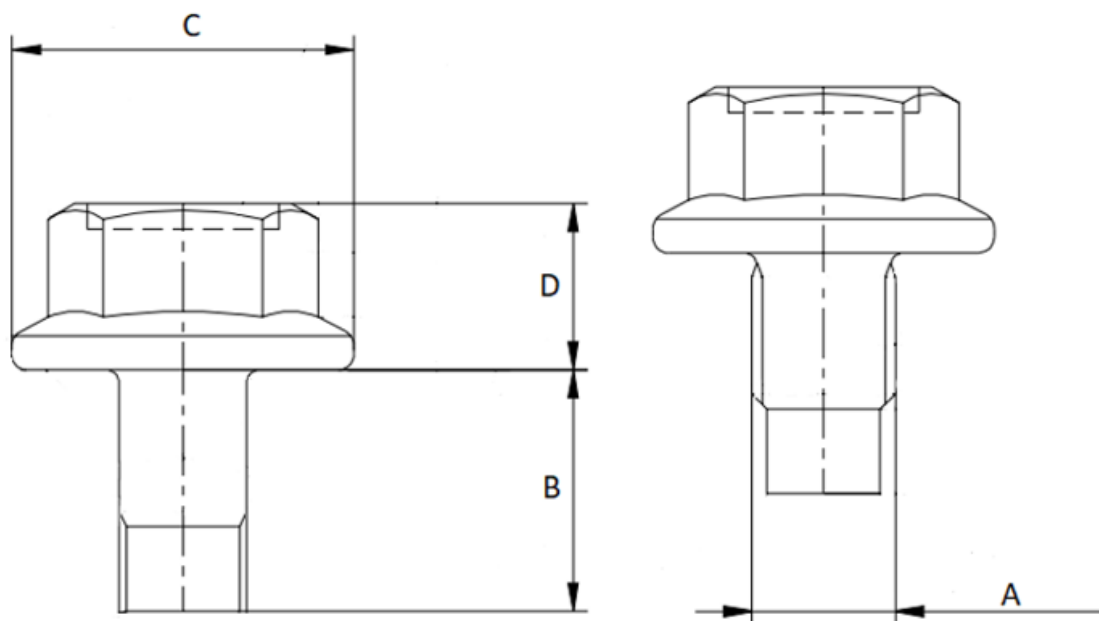


Our « Metric special screws » family has been designed to ensure secure fastening over time for all automotive assembly challenges.

This family includes a complete range of products: in 10.9 and 8.8 steels, aluminum and EGH, etc.

Economical and reliable, alone or in combination with our other products, our metric special screws guarantee an optimal fastening system.

Part print



Rated:

Rated **0** out of 5

Price: 0.00€

For more information about this assembly solution,

please contact us at the e-mail address below:

fastenerlisi@lisi-group.com



504212

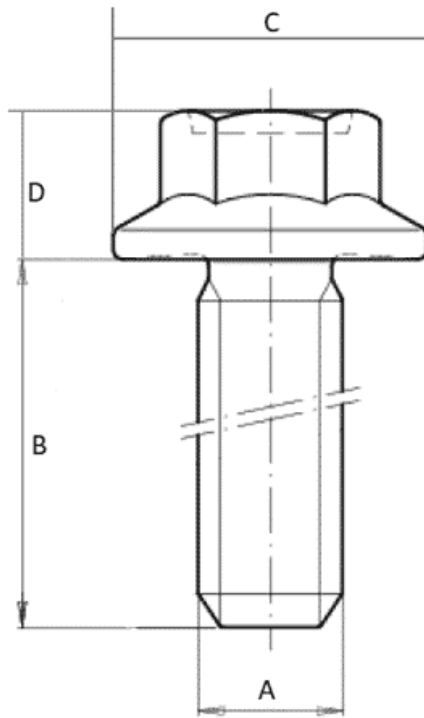


Our « Metric special screws » family has been designed to ensure secure fastening over time for all automotive assembly challenges.

This family includes a complete range of products: in 10.9 and 8.8 steels, aluminum and EGH, etc.

Economical and reliable, alone or in combination with our other products, our metric special screws guarantee an optimal fastening system.

Part print



Rated:

Rated **0** out of 5

Price: 0.00€

For more information about this assembly solution,

please contact us at the e-mail address below:

fastenerlisi@lisi-group.com



504257



Our « Sheet metal screws with pre hole » family has been designed to ensure secure fastening over time for all automotive assembly challenges.

This family includes a complete range of products: in 10.9 and 8.8 steels, aluminum and EGH, etc.

Economical and reliable, alone or in combination with our other products, our sheet metal screws with pre hole guarantee an optimal fastening system.

Rated:

Rated **0** out of 5

Price: 0.00€

For more information about this assembly solution,

please contact us at the e-mail address below:

fastenerlisi@lisi-group.com



504321



Our « Metric special screws » family has been designed to ensure secure fastening over time for all automotive assembly challenges.

This family includes a complete range of products: in 10.9 and 8.8 steels, aluminum and EGH, etc.

Economical and reliable, alone or in combination with our other products, our metric special screws guarantee an optimal fastening system.

Rated:

Rated **0** out of 5

Price: 0.00€

For more information about this assembly solution,

please contact us at the e-mail address below:

fastenerlisi@lisi-group.com



504339



Our « Screws for plastics » family has been designed to ensure secure fastening over time for all automotive assembly challenges.

This family includes a complete range of products: in 10.9 and 8.8 steels, aluminum and EGH, etc.

Economical and reliable, alone or in combination with our other products, our screws for plastics guarantee an optimal fastening system.

Rated:

Rated **0** out of 5

Price: 0.00€

For more information about this assembly solution,

please contact us at the e-mail address below:

fastenerlisi@lisi-group.com



504341



Our « Screws for plastics » family has been designed to ensure secure fastening over time for all automotive assembly challenges.

This family includes a complete range of products: in 10.9 and 8.8 steels, aluminum and EGH, etc.

Economical and reliable, alone or in combination with our other products, our screws for plastics guarantee an optimal fastening system.

Rated:

Rated **0** out of 5

Price: 0.00€

For more information about this assembly solution,

please contact us at the e-mail address below:

fastenerlisi@lisi-group.com



504348

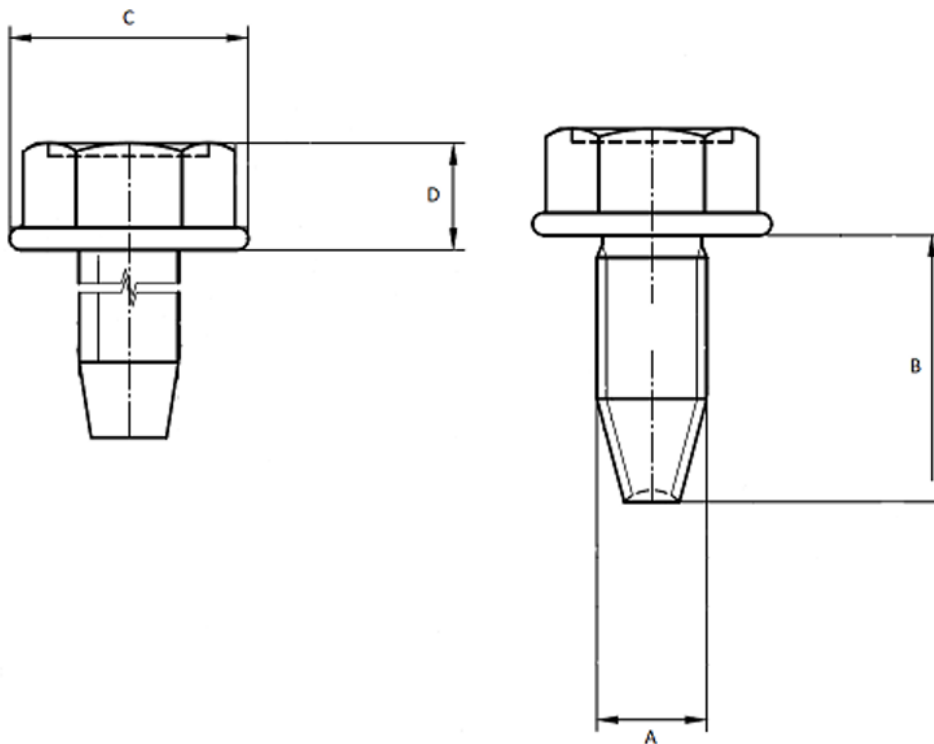


Our « thread forming screws » family has been designed to ensure secure fastening over time for all automotive assembly challenges.

This family includes a complete range of products: in 10.9 and 8.8 steels, aluminum and EGH, etc.

Economical and reliable, alone or in combination with our other products, our metric special screws guarantee an optimal fastening system.

Part print



Rated:

Rated **0** out of 5

Price: 0.00€

For more information about this assembly solution,

please contact us at the e-mail address below:

fastenerlisi@lisi-group.com



504370

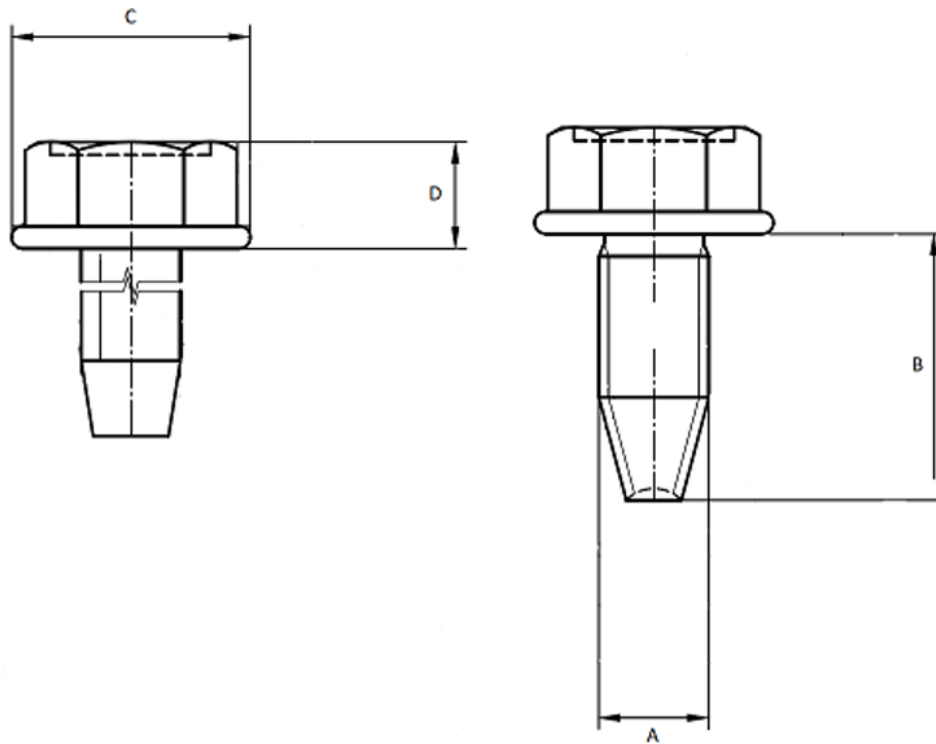


Our « thread forming screws » family has been designed to ensure secure fastening over time for all automotive assembly challenges.

This family includes a complete range of products: in 10.9 and 8.8 steels, aluminum and EGH, etc.

Economical and reliable, alone or in combination with our other products, our metric special screws guarantee an optimal fastening system.

Part print



Rated:

Rated **0** out of 5

Price: 0.00€

For more information about this assembly solution,

please contact us at the e-mail address below:

fastenerlisi@lisi-group.com

504371



Our « Metric special screws » family has been designed to ensure secure fastening over time for all automotive assembly challenges.

This family includes a complete range of products: in 10.9 and 8.8 steels, aluminum and EGH, etc.

Economical and reliable, alone or in combination with our other products, our metric special screws guarantee an optimal fastening system.

Rated:

Rated **0** out of 5

Price: 0.00€

For more information about this assembly solution,

please contact us at the e-mail address below:

fastenerlisi@lisi-group.com

