

505459



Our « Screws for plastics » family has been designed to ensure secure fastening over time for all automotive assembly challenges.

This family includes a complete range of products: in 10.9 and 8.8 steels, aluminum and EGH, etc.

Economical and reliable, alone or in combination with our other products, our screws for plastics guarantee an optimal fastening system.

Rated:

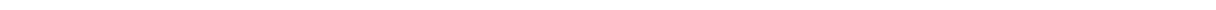
Rated **0** out of 5

Price: 0.00€

For more information about this assembly solution,

please contact us at the e-mail address below:

fastenerlisi@lisi-group.com



505463



Our « Metric special screws » family has been designed to ensure secure fastening over time for all automotive assembly challenges.

This family includes a complete range of products: in 10.9 and 8.8 steels, aluminum and EGH, etc.

Economical and reliable, alone or in combination with our other products, our metric special screws guarantee an optimal fastening system.

Rated:

Rated **0** out of 5

Price: 0.00€

For more information about this assembly solution,

please contact us at the e-mail address below:

fastenerlisi@lisi-group.com



505474

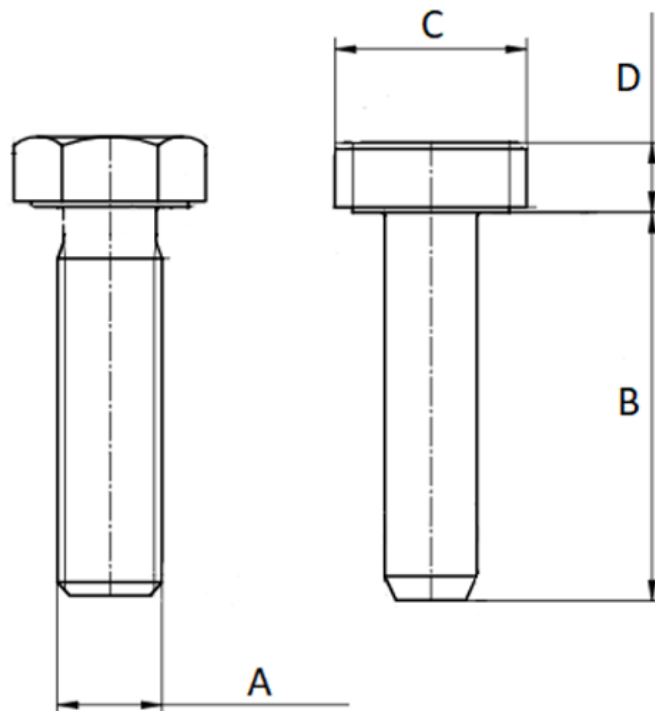


Our « Metric special screws » family has been designed to ensure secure fastening over time for all automotive assembly challenges.

This family includes a complete range of products: in 10.9 and 8.8 steels, aluminum and EGH, etc.

Economical and reliable, alone or in combination with our other products, our metric special screws guarantee an optimal fastening system.

Part print



Rated:

Rated **0** out of 5

Price: 0.00€

For more information about this assembly solution,

please contact us at the e-mail address below:

fastenerlisi@lisi-group.com



505482



Our « Metric special screws » family has been designed to ensure secure fastening over time for all automotive assembly challenges.

This family includes a complete range of products: in 10.9 and 8.8 steels, aluminum and EGH, etc.

Economical and reliable, alone or in combination with our other products, our metric special screws guarantee an optimal fastening system.

Rated:

Rated **0** out of 5

Price: 0.00€

For more information about this assembly solution,

please contact us at the e-mail address below:

fastenerlisi@lisi-group.com



505495

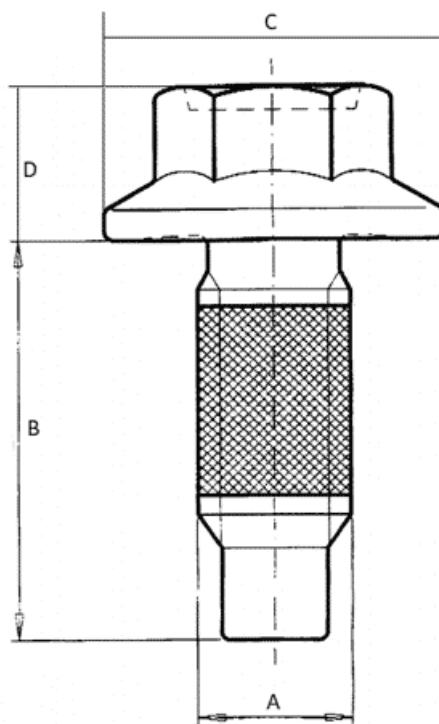


Our « Metric special screws » family has been designed to ensure secure fastening over time for all automotive assembly challenges.

This family includes a complete range of products: in 10.9 and 8.8 steels, aluminum and EGH, etc.

Economical and reliable, alone or in combination with our other products, our metric special screws guarantee an optimal fastening system.

Part print



Rated:

Rated **0** out of 5

Price: 0.00€

For more information about this assembly solution,

please contact us at the e-mail address below:

fastenerlisi@lisi-group.com

505496



Our « thread forming screws » family has been designed to ensure secure fastening over time for all automotive assembly challenges.

This family includes a complete range of products: in 10.9 and 8.8 steels, aluminum and EGH, etc.

Economical and reliable, alone or in combination with our other products, our metric special screws guarantee an optimal fastening system.

Rated:

Rated **0** out of 5

Price: 0.00€

For more information about this assembly solution,

please contact us at the e-mail address below:

fastenerlisi@lisi-group.com



505504



Our « thread forming screws » family has been designed to ensure secure fastening over time for all automotive assembly challenges.

This family includes a complete range of products: in 10.9 and 8.8 steels, aluminum and EGH, etc.

Economical and reliable, alone or in combination with our other products, our metric special screws guarantee an optimal fastening system.

Rated:

Rated **0** out of 5

Price: 0.00€

For more information about this assembly solution,

please contact us at the e-mail address below:

fastenerlisi@lisi-group.com



505513



Our « Metric special screws » family has been designed to ensure secure fastening over time for all automotive assembly challenges.

This family includes a complete range of products: in 10.9 and 8.8 steels, aluminum and EGH, etc.

Economical and reliable, alone or in combination with our other products, our metric special screws guarantee an optimal fastening system.

Rated:

Rated **0** out of 5

Price: 0.00€

For more information about this assembly solution,

please contact us at the e-mail address below:

fastenerlisi@lisi-group.com



505514



Our « Screws for plastics » family has been designed to ensure secure fastening over time for all automotive assembly challenges.

This family includes a complete range of products: in 10.9 and 8.8 steels, aluminum and EGH, etc.

Economical and reliable, alone or in combination with our other products, our screws for plastics guarantee an optimal fastening system.

Rated:

Rated **0** out of 5

Price: 0.00€

For more information about this assembly solution,

please contact us at the e-mail address below:

fastenerlisi@lisi-group.com



505527



Our « Screws for plastics » family has been designed to ensure secure fastening over time for all automotive assembly challenges.

This family includes a complete range of products: in 10.9 and 8.8 steels, aluminum and EGH, etc.

Economical and reliable, alone or in combination with our other products, our screws for plastics guarantee an optimal fastening system.

Rated:

Rated **0** out of 5

Price: 0.00€

For more information about this assembly solution,

please contact us at the e-mail address below:

fastenerlisi@lisi-group.com



505528



Our « Screws for plastics » family has been designed to ensure secure fastening over time for all automotive assembly challenges.

This family includes a complete range of products: in 10.9 and 8.8 steels, aluminum and EGH, etc.

Economical and reliable, alone or in combination with our other products, our screws for plastics guarantee an optimal fastening system.

Rated:

Rated **0** out of 5

Price: 0.00€

For more information about this assembly solution,

please contact us at the e-mail address below:

fastenerlisi@lisi-group.com



505529



Our « Screws for plastics » family has been designed to ensure secure fastening over time for all automotive assembly challenges.

This family includes a complete range of products: in 10.9 and 8.8 steels, aluminum and EGH, etc.

Economical and reliable, alone or in combination with our other products, our screws for plastics guarantee an optimal fastening system.

Rated:

Rated **0** out of 5

Price: 0.00€

For more information about this assembly solution,

please contact us at the e-mail address below:

fastenerlisi@lisi-group.com



505536



Our « Metric special screws » family has been designed to ensure secure fastening over time for all automotive assembly challenges.

This family includes a complete range of products: in 10.9 and 8.8 steels, aluminum and EGH, etc.

Economical and reliable, alone or in combination with our other products, our metric special screws guarantee an optimal fastening system.

Rated:

Rated **0** out of 5

Price: 0.00€

For more information about this assembly solution,

please contact us at the e-mail address below:

fastenerlisi@lisi-group.com



505542

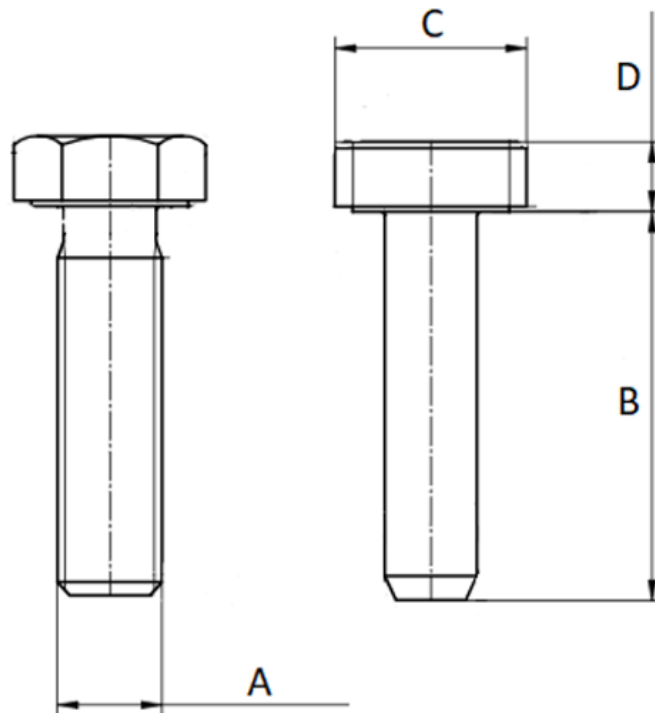


Our « Metric special screws » family has been designed to ensure secure fastening over time for all automotive assembly challenges.

This family includes a complete range of products: in 10.9 and 8.8 steels, aluminum and EGH, etc.

Economical and reliable, alone or in combination with our other products, our metric special screws guarantee an optimal fastening system.

Part print



Rated:

Rated **0** out of 5

Price: 0.00€

For more information about this assembly solution,

please contact us at the e-mail address below:

fastenerlisi@lisi-group.com



505543

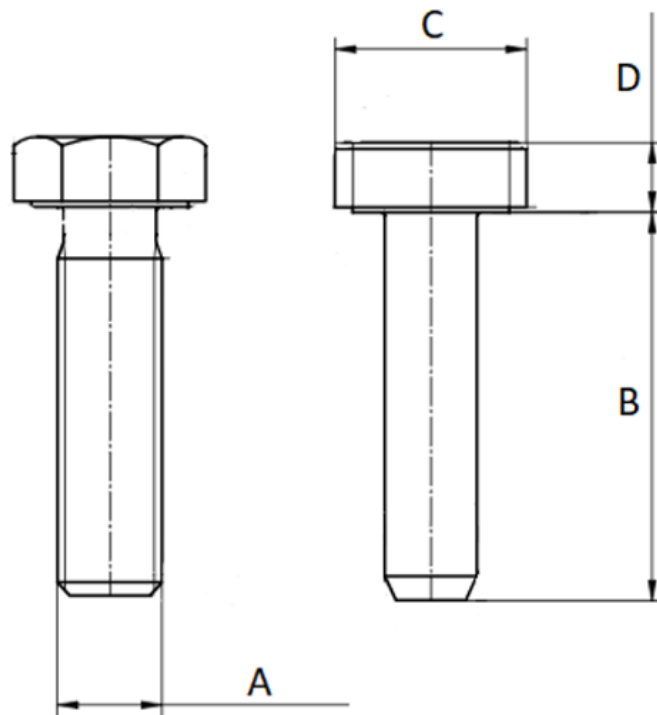


Our « Metric special screws » family has been designed to ensure secure fastening over time for all automotive assembly challenges.

This family includes a complete range of products: in 10.9 and 8.8 steels, aluminum and EGH, etc.

Economical and reliable, alone or in combination with our other products, our metric special screws guarantee an optimal fastening system.

Part print



Rated:

Rated **0** out of 5

Price: 0.00€

For more information about this assembly solution,

please contact us at the e-mail address below:

fastenerlisi@lisi-group.com

